

6- PORT CYLINDER REGULATOR

EN

6-PORT FLASCHENDRUCKREGLER

DE

C – CYLINDER REGULATOR | T – TEC | M – MID FLOW |

H0 – HIGH PRESSURE | HE - HIGH PRESSURE WITH EPDM RELIEF VALVE

C – CYLINDER REGULATOR | T – TEC | M – MID FLOW |

H0 – HIGH PRESSURE | HE - HIGH PRESSURE WITH EPDM RELIEF VALVE

INSTRUCTION FOR USE
GEBRAUCHSANLEITUNG



IMPORTANT!

Read carefully before use! Keep the manual for future consultation!

WICHTIG!

Vor Gebrauch sorgfältig lesen!

Bewahren Sie die Gebrauchsanweisung für späteres Nachschlagen auf!

GCE druva®

CONTENT

EN

1 General.....	4
1.1 information about this instructions manual	4
1.2 Information about this cylinder bundle regulator	4
1.3 Explanation of symbols	5
1.4 Limitations of liability.....	6
1.5 Copyright	6
1.6 Spare parts	6
1.7 Warranty provision	6
1.8 Customer service.....	6
2 Safety	7
2.1 Intended use	7
2.1.1 Structural changes at the cylinder bundle regulator	7
2.2 Fundamental risks	7
2.3 Operator's responsibility.....	8
2.4 Personnel requirements.....	9
2.4.1 Qualifications.....	9
2.4.2 Unauthorized personnel.....	9
2.4.3 Training	9
2.5 Personal protective equipment.....	10
2.6 Behavior in case of fire or accident	10
2.7 Environmental protection.....	11
2.8 Signage	11
2.8.1 Signs that give orders	11
2.8.2 Signs indicating bans	11
2.8.3 Warning signs.....	11
3 Technical specifications	12
3.1 Flow scheme	12
CTMHOSJ000/ CTMHESJ000	12
CTMHOSJ00N/ CTMHOSJ00F/ CTMHESF00N/ CTMHESJ00F	12
CTMHOSJ0B0/ CTMHESJ0B0	12
CTMHOSJ0BN/ CTMHOSJ0BF/ CTMHESF0BN/ CTMHESJ0BF	13
3.3 General information.....	16
3.4 Connection values	16
3.5 Performance value	17
3.6 Operating conditions	17
4 Set-up and function	17
4.1 Overview CTMHOSJ/ CTMHESJ.....	17
4.3 Brief description	17
5 Transport, packaging and storage.....	18
5.1 Safety information for transportation.....	18
5.2 Transport inspection	18
5.3 Packaging	18
5.4 Storage	18

- 6 Installation and initial start-up.....19
 - 6.1 Safety notes for installation and initial start-up19
 - 6.2 Preparation19
 - 6.3 Installation.....19
 - 6.3.1 Conneting of the gas cylinder or bundle.....19
 - 6.4 Required qualifications for initial start-up and cylinder/bundle changing20
 - 6.5 Initial Start Up.....20
 - 6.5.1 Fill the process gas tubing with process gas20
 - 6.5.2 Cylinder change.....20
 - Preparation.....21
 - 6.5.3 Taking gas supply out of operation21
 - 6.6 Tests21
- 7 Operation.....21
- 8 Maintenance22
 - 8.1 Safety notes for maintenance.....22
 - 8.2 Maintenance plan22
 - 8.3 Maintenance work.....22
 - 8.3.1 Cleaning.....22
 - 8.3.2 Requirements for maintenance22
 - 8.3.3 Necessary maintenance.....22
 - 8.4 Measures following maintenance.....23
- 9 Troubleshooting.....23
 - 9.1 Safety notes for troubleshooting23
- 10 Dismantling and disposal.....25
 - 10.1 Safety notes for dismantling and disposal25
 - 10.2 Dismantling25
 - 10.3 Disposal26

EN

1. GENERAL

1.1. INFORMATION ABOUT THIS INSTRUCTIONS MANUAL

This instruction is only intended for use with cylinder bundle regulator product type:

- CTMH0SJ, CTMHESJ

Cylinder bundle regulator of this type is suitable to connect to gas cylinder or bundle directly and reduce inlet pressure to lower outlet pressure. The cylinder/ bundle connections have, due to several directives (DIN 477, AFNOR, etc.) and due to gas types different threads. Please note!

This instruction enables you to operate the system safely and efficiently. These instructions form an integral part of the system and must always be kept with the system and within easy reach of staff.

Prior to commencing any work, the staff must be read this instruction carefully and understand the content. Observance of all safety information and instructions for operating that are contained in this instruction is essential to ensure work safety.

Local accident prevention regulations and general safety regulations governing the use of the system must also be observed.

Illustrations in this instruction serve to ensure a basic understanding of the system and may differ from the actual version.

1.2. INFORMATION ABOUT THIS CYLINDER BUNDLE REGULATOR

Cylinder bundle Regulators of this type are only suitable for gases defined as standard gas. The maximum working pressure for cylinder bundle regulator is 300 bar.

Product Line	DruvaTEC Line MID Flow (Brass)
H0 - High Pressure Regulator with FKM Relief Valve Seat	<ul style="list-style-type: none"> • Suitable Gases (including their mixtures) <ul style="list-style-type: none"> • Industrial • Inert • Flammable • Oxidizing • O2 • Not Suitable Gases (including their mixtures) <ul style="list-style-type: none"> • Corrosive • Toxic • CO2, N2O
HE - High Pressure Regulator with EPDM Relief Valve Seat	<ul style="list-style-type: none"> • Suitable Gases (including their mixtures) <ul style="list-style-type: none"> • Industrial • Inert • Flammable • Oxidizing • CO2, N2O • Not Suitable Gases (including their mixtures) <ul style="list-style-type: none"> • Corrosive • Toxic • O2
HS – High Pressure Regulator with stainless steel internal parts & EPDM O-Rings	Gas mixture with low content of nitric oxide (NO)

This table is not exhaustive. For questions and ambiguities please contact manufacturer. Contact details section 1.8.

Single stage cylinder bundle regulator with metal diaphragm and 6 ports. Created and approved according ISO 7291, including necessary oxygen ignition test.

The cylinder bundle regulator consists of regulator body, inlet and outlet gauge, cylinder connection and pressure relief valve. It is available with several outlet connections and/ or several additional components:

Options:

- 00 - HP WITHOUT + LP WITHOUT
- 0B - HP WITHOUT + LP BALL VALVE

EN

Specials:

- 0 - WITHOUT
- F - SAFETY DEVICE FLAMMABLES
- N - SAFETY DEVICE OXY/AIR

1.3. EXPLANATION OF SYMBOLS

SAFETY INFORMATION	Safety information is highlighted by symbols in these instructions. This safety information is preceded by signal words that define the extent of risk.
	DANGER! This combination of symbol and signal word indicates an immediately dangerous situation that will cause death or severe injury if not avoided.
	WARNING! This combination of symbol and signal word indicates a possibly dangerous situation that can cause death or severe injury if not avoided.
	BEWARE! This combination of symbol and signal word indicates a possibly dangerous situation that can cause minor injury if not avoided.
	NOTE! This combination of symbol and signal word indicates a possibly dangerous situation that can cause property and environmental damage if not avoided.
	TIPS AND RECOMMENDATIONS This symbol highlights useful tips and recommendations, together with help for ensuring efficient and trouble-free operation.
SPECIAL SAFETY INFORMATION	The following symbols are used in the safety information to draw your attention to particular risks.
	DANGER! This combination of symbol and signal word indicates an immediately dangerous situation involving electrical current. Ignoring such a warning could result in severe or fatal injuries.

1.4. LIMITATIONS OF LIABILITY

All of the information and notes in these instructions have been compiled in accordance with applicable standards and regulations. They reflect best engineering practice and our years of experience.

The manufacturer accepts no liability for damages in the following instances:

- Failure to observe these instructions
- Utilization of the system for any other than the intended purpose
- Operation by untrained staff
- Unauthorized modifications
- Technical modifications
- Use of unlicensed spare parts
- Working with the gas supply panel when any safety device is broken or not functional mounted or safety devices don't work correctly
- Improper control of components, connections and gaskets, which are wearing parts.
- Incorrect reparations
- Violation of temperature limits, which are dedicated in the datasheet during operation or storage
- In case of disaster or force majeure

The actual scope of supply may differ from the explanations and illustrations in these instructions following the incorporation of new technical changes.

The obligations stipulated in the supply agreement, our general terms and conditions of business, the manufacturer's terms and conditions of supply and the statutory regulations in force at the time of contract conclusion apply.

1.5. COPYRIGHT

The contents of these instructions are protected by copyright. They may be used in connection with the operation of the system. Any other use above and beyond the aforementioned is only permitted with the written consent of the manufacturer.

1.6. SPARE PARTS



WARNING!

- Risk of injury from using incorrect spare parts!
- The use of incorrect or defective spare parts can result in risks for the operating staff and in damages, malfunctions or total failure of the system.
- Only use original spare parts from the manufacturer or spare parts authorized by the manufacturer.
- Always consult the manufacturer if in doubt.



LOSS OF WARRANTY

- The manufacturer's warranty lapses if unauthorized spare parts are used.

1.7. WARRANTY PROVISION

The warranty provisions are included in the manufacturer's general terms and conditions of business. See chapter VI. Warranty Claims.

1.8. CUSTOMER SERVICE

GCE GmbH

Weyhser Weg 8

DE-36043 Fulda

Please do not hesitate to provide us with information and experiences gained through use; we welcome any valuable input that will help to improve our products.

2. SAFETY

This section provides an overview of all the important safety aspects to ensure the protection of your staff and the safe and trouble-free operation of the equipment. Further safety information relating to specific tasks can be found in the sections on the individual life cycle phases.

2.1. INTENDED USE

The cylinder bundle regulator CTMHOSJ/ CTMHESJ are only usable for the defined standard gases and pressures observing the given temperature range. The nominal flow is 100 m³/h.

Intended use also includes compliance with all information in this instruction and compliance with reparation, maintenance working, type label and data sheets. Any use other than, or above and beyond the intended use constitutes improper use.

EN



WARNING!

- **Danger from improper use!**
- Improper use of the system can lead to dangerous situations.
- Never use the cylinder bundle regulator with liquid fluids

2.1.1. STRUCTURAL CHANGES AT THE CYLINDER BUNDLE REGULATOR

Without written approval of supplier no extensions, additions or alternations are allowed on the cylinder regulator.

Components which are not in perfect condition have to be changed immediately.

Cleaning of cylinder bundle regulator and disposal of residues.

Used components which are ready for reparation has to be purged with an inert gas before.

Noise Generation

In some cases when specific influence quantities collaborate, e.g. flow and pressure range can cause noise generation or the gas itself. If this happens please contact supplier.

2.2. FUNDAMENTAL RISKS

The following section addresses the residual risks that may arise, even if the system is used properly.

Observance of the safety information included below and in other sections of these instructions is mandatory in order to reduce the risk of injury and property damage and to avoid dangerous situations.



DANGER!

- **Gases can be life threatening!**
- Gases can supersede the oxygen in air. This can result in death by asphyxiation. Oxygen produces a strongly oxidizing effect.

THEREFORE:

- Sufficient ventilation is absolutely essential.
- Installation only through certified company.
- Observe ATEX directive



ATTENTION!

- **Risk of injury from environment!**
There can be malfunctions on component due to condensation and/ or icing.

THEREFORE:

- Observe suitable temperatures.
- Protect component from liquids from outside
- Protect component from dust from outside
- Protect component from weather conditions
- Grounding has to be mounted properly

**WARNING!**

- **Risk of injury from using oil and grease!**

Oil and grease must never be used in gas regulating systems. Oil and grease are highly inflammatory and can react violently to certain pressurized gases.

THEREFORE:

- Never use oil and grease

**WARNING!**

- **Risk of injury from residual energy stored in the system!**

If handled incorrectly, pressurized components can move uncontrollably and cause severe injury. If handled incorrectly or defective, pressurized components can leak gas under high pressure and cause severe or even fatal injuries.

BEFORE STARTING WORK WITH THESE COMPONENTS:

- Installation only through certified company.
- Always wear protective goggles when working.
- Always wear ear protection.
- Make sure the equipment is depressurized. Also make sure the residual energy is discharged.
- Always ensure that gas cannot leak unintentionally.
- Make sure that defective components that are pressurized during operation are immediately replaced by trained staff.

**WARNING!**

- **Danger of accident!**

Due to wrong installation there can be serious or even mortal injuries.

THEREFORE:

- During installation the component should be kept safe
- Never throw the component

Pressurised components are only for intended use.

If there are mechanical damages at tubing or components the whole system has to be put in a safe condition. Affected area has to be blocked. Troubles which could influence safety, have to be eliminated through qualified staff or supplier.

Especially with gases failure in pressure regulator could happen. Indications for defective regulator is no flow or immediately rising outlet pressure. In this case system has to be shut-off and the relevant department for maintenance has to be informed. Never close exhaust piping.

2.3. OPERATOR'S RESPONSIBILITY

OPERATOR

The operator is the person who operates the system for commercial or business purposes or who provides the system for use/application by a third party, and who bears legal product responsibility for protecting the user, staff or third parties during operation.

OPERATOR'S DUTIES

The system is used for commercial purposes. The operator of the system is therefore subject to legal work safety obligations.

Compliance with the safety, accident prevention and environmental protection regulations that apply for the use of the system is mandatory, in addition to the safety information in these instructions.

THE FOLLOWING APPLIES IN PARTICULAR:

- The operator must be aware of the applicable work safety regulations and must perform a risk assessment to identify risks that may occur as a result of the specific working conditions at the site where the system is operated. The operator must use this assessment as the basis for compiling instructions for operating the system.
- During the entire period in which the system is operated, the operator must ensure that these operating instructions comply with the latest regulations, and must update the instructions if necessary.
- The operator must assign clear and specific responsibility for installation, operation, troubleshooting, maintenance and cleaning.

- The operator must ensure that all members of staff who work with the system have read and understood these instructions. The operator must also ensure that these members of staff are trained at regular intervals and are aware of the risks.
- The operator must provide the staff with the requisite protective equipment and bindingly obligate the staff to wear the necessary protective equipment.

In addition, the operator is responsible for ensuring full technical reliability of the system at all times.

AS SUCH, THE FOLLOWING APPLIES:

- The operator must ensure compliance with the maintenance intervals specified in these instructions.
- The operator must ensure that all safety equipment is regularly inspected for functional reliability and completeness.

2.4. PERSONNEL REQUIREMENTS

2.4.1. QUALIFICATIONS

The various tasks described in these instructions constitute differing requirements in respect of the qualifications of the staff charged with performing these tasks.



WARNING!

- ***Danger if staff is insufficiently qualified!***
- Insufficiently qualified staff is not able to assess the risks associated with the system and expose both themselves and others to the risk of severe or fatal injury.
- Ensure that all works are only performed by staff qualified for the specific task.
- Keep insufficiently qualified people out of the work area.

The works must always be assigned only to individuals who can be trusted to perform the works reliably. People with impaired reactions, e.g. as a result of drugs, alcohol or medication, must not be allowed to perform works.

These instructions define the qualifications below that are necessary for the respective tasks:

GAS ENGINEER:

Have a professional training, skills and experience and the knowledge of the pertinent standards and regulations to perform works on gas systems and to identify potential hazards. Gas engineers are trained specifically for the site where they work and are familiar with all relevant standards and regulations.

TECHNICIAN

Have the professional training, skills and experience and the knowledge of the pertinent standards and regulations to perform the assigned works and to identify and avoid potential hazards.

2.4.2. UNAUTHORIZED PERSONNEL



WARNING!

- ***Risks associated with unauthorized personnel in the hazard and work areas can be life threatening!***
- Unauthorized individuals without the qualifications described in this section are not familiar with the risks in the work area. As such, they are in danger of severe or even fatal injury.
- Keep unauthorized personnel away from the hazard and work area.
- If in doubt, approach individuals and instruct them to leave the hazard and work area.
- Stop any work while unauthorized individuals are in the hazard and work area.

2.4.3. TRAINING

The operator must train the staff at regular intervals. A training log must be maintained for purposes of better tracking and must contain the following information, at least:

- Date of training
- Names of trained staff
- Contents of the training session
- Name of trainer
- Signatures of the staff members in training and of the trainer

2.5. PERSONAL PROTECTIVE EQUIPMENT

Personal protective equipment protects staff from safety and health hazards while working.

Various tasks on and associated with, the system necessitate the use of personal protective equipment, which is described in more detail in the individual sections of these instructions.

EN



BREATHING APPARATUS

To protect against harmful gases, vapors, dust and similar materials and media. Breathing apparatus (e.g. compressed air respirator) must be used when an oxygen content of at least 17% in the ambient air is not guaranteed or when the limit of a hazardous substance in the ambient air is exceeded more than 100-fold. Breathing apparatus may only be worn by people who have been specially trained in the use.



BREATHING APPARATUS, DEPENDENT ON AIR CIRCULATION

To protect against harmful gases, vapors, dust and similar materials and media. Breathing apparatus must be worn if a permissible limit is exceeded 100-fold. The breathing apparatus may only be used when the oxygen content in the ambient air measures at least 17%.



PROTECTIVE GOGGLES

To protect the eyes against airborne parts and splashes of liquid.



CHEMICAL-RESISTANT GLOVES

To protect the hands from aggressive substances. Make sure the protective gloves are leak-proof before wear. Before taking the gloves off, clean them and then store them in a well ventilated location.



PROTECTIVE GLOVES

To protect the hands against abrasion, scrapes, pricks or deeper injuries and contact with hot or cold surfaces.



EAR PROTECTION

To protect the ears from noise and prevent acoustic trauma.

2.6. BEHAVIOR IN CASE OF FIRE OR ACCIDENT

PREVENTIVE MEASURE

- Always be prepared for fires and accidents!
- Always keep first aid equipment (kit, blankets, etc.) and fire extinguishing equipment in working order and close to hand.
- Familiarize the staff with accident reporting, first aid and emergency procedures.
- Keep the access routes free for emergency service vehicles.

MEASURES IN THE EVENT OF FIRE OR ACCIDENT

- If there is no risk to your own safety, remove people from the danger zone.
- Administer first aid if necessary.
- Notify the fire brigade and/or emergency service.
- In the event of fire: If there is no risk to your own safety, use fire extinguishing equipment to fight the fire until the fire brigade arrives.
- Inform the person responsible at the location.
- Make sure the access routes are free for emergency service vehicles.
- Direct the emergency service vehicles.

2.7. ENVIRONMENTAL PROTECTION



NOTE!

- ***Risk of environmental pollution from incorrect handling of environmentally hazardous substances!***
- The environment can suffer substantial damage if environmentally hazardous substances are handled, and especially disposed of, incorrectly.
- Always observe the information below on handling environmentally hazardous substances and their disposal.
- Take immediate measures if environmentally hazardous substances are accidentally released into the environment. If in doubt, notify the responsible local authorities about the damage and enquire about the suitable measures to be taken.

EN

2.8. SIGNAGE



WARNING!

- ***Danger from illegible signs!***
- Labels and signs can gather dirt or become otherwise illegible over time, thus preventing the recognition of risks and compliance with the requisite operating information. This could result in injury.
- Make sure all safety, warning and operation information is legible at all times.
- Immediately replace any damaged signs or labels.

2.8.1. SIGNS THAT GIVE ORDERS

- No signs

2.8.2. SIGNS INDICATING BANS

- No signs

2.8.3. WARNING SIGNS



GAS BOTTLES HAZARD



EXPLOSION - HAZARDOUS
AREA



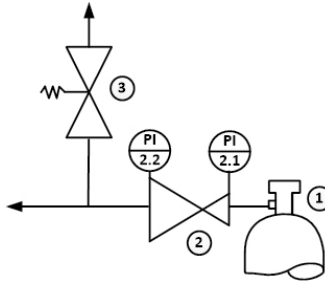
WARNING OF TOXIC AND/ OR
CORROSIVE SUBSTANCES

3. TECHNICAL SPECIFICATIONS

3.1. FLOW SCHEME

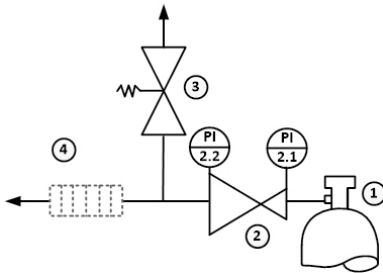
EN

CTMHOSJ000/ CTMHESJ000



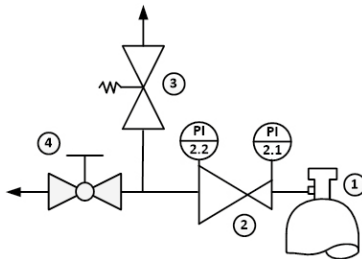
- 1 – GAS CYLINDER OR BUNDLE
- 2 – PRESSURE REGULATOR WITH PRESSURE INDICATORS
- 3 – RELIEF VALVE

CTMHOSJ00N/ CTMHOSJ00F/ CTMHESF00N/ CTMHESJ00F

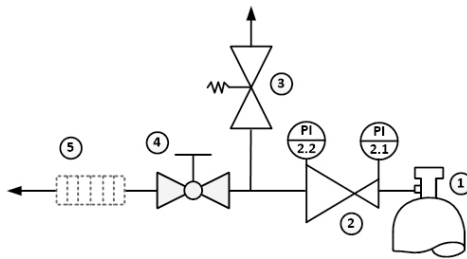


- 1 – GAS CYLINDER OR BUNDLE
- 2 – PRESSURE REGULATOR WITH PRESSURE INDICATORS
- 3 – RELIEF VALVE
- 4 – SAFETY DEVICE FLAMMABLES (F) OR SAFETY DEVICE OXY/AIR (N)

CTMHOSJ0B0/ CTMHESJ0B0



- 1 – GAS CYLINDER OR BUNDLE
- 2 – PRESSURE REGULATOR WITH PRESSURE INDICATORS
- 3 – RELIEF VALVE
- 4 – BALL VALVE

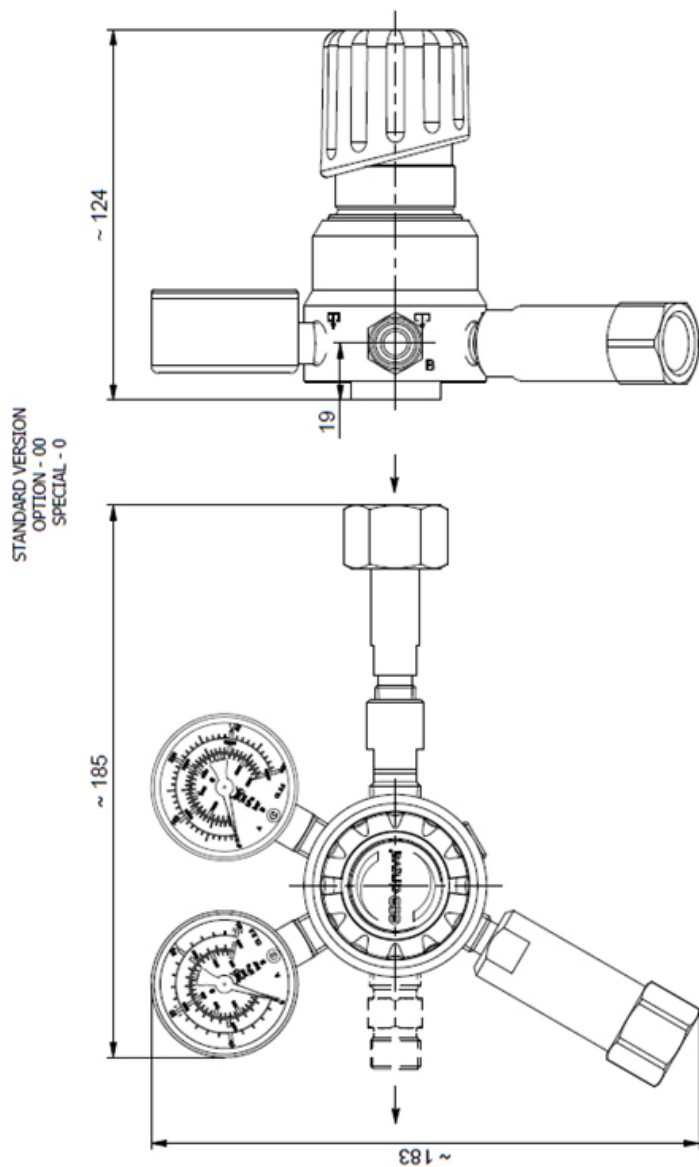


- 1 – GAS CYLINDER OR BUNDLE
- 2 – PRESSURE REGULATOR WITH PRESSURE INDICATORS
- 3 – RELIEF VALVE
- 4 – BALL VALVE
- 5 – SAFETY DEVICE FLAMMABLES (F) OR SAFETY DEVICE OXY/AIR (N)

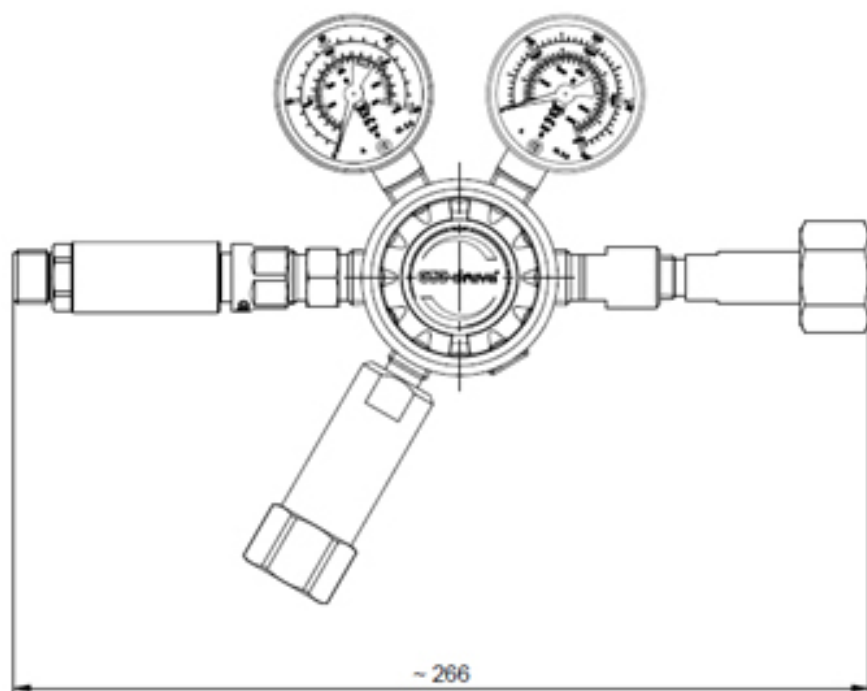
EN

3.2. DIMENSION SHEET

EN

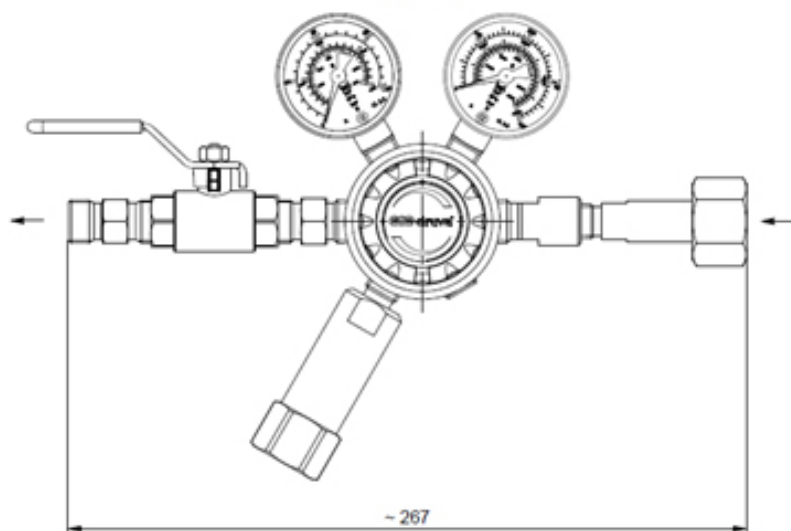


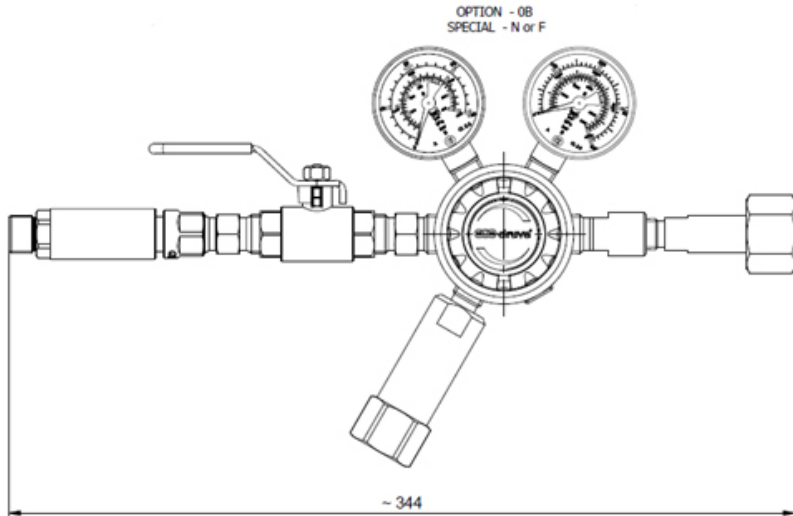
OPTION - 00
SPECIAL - N or F



EN

OPTION - 08
SPECIAL - 0





3.3. GENERAL INFORMATION

Information	CTMH0SJ000/ CTMHESJ000	CTMH0SJ00N/ CTMH0SJ00F/ CTMHESJ00N/ CTMHESJ00F	CTMH0SJ0B0/ CTMHESJ0B0	CTMH0SJ0BN/ CTMH0SJ0BF/ CTMHESJ0BN/ CTMHESJ0BF
Max. Weight [kg]	2,26	2,26	2,26	2,26
Length [mm]	185	266	267	344
Depth [mm]	124	124	124	124
Height [mm]	183	183	183	183

3.4. CONNECTION VALUES

Information	Value
Inlet Cylinder Connections	N38F00 - NPT3/8 inch female NF00CW - AFNOR Type C Wrench NF00FW - AFNOR Type F Wrench NF00EW - AFNOR Type E Wrench BS003W - BS1341-3 Wrench BS004W - BS1341-4 Wrench DI001W - DIN477 No 1 Wrench DI006W - DIN477 No 6 Wrench DI009W - DIN477 No 9 Wrench DI010W - DIN477 No 10 Wrench DI013W - DIN477 No 13 Wrench DI054W - DIN477 No 54 Wrench DI056W - DIN477 No 56 Wrench DI057W - DIN477 No 57 Wrench DI059W - DIN477 No 59 Wrench NELU1W - NEN LU1 Wrench NERI2W - NEN RI2 Wrench NERU3W - NEN RU3 Wrench

Outlet	N38F - NPT3/8 INCH FEMALE E1MR - G1/4 INCH MALE EN560 RIGHT HAND E2MR - G3/8 INCH MALE EN560 RIGHT HAND E2ML - G3/8 INCH MALE EN560 LEFT HAND
Outlet Relief Valve	N12F – NPT ½ INCH FEMALE

EN

3.5. PERFORMANCE VALUE

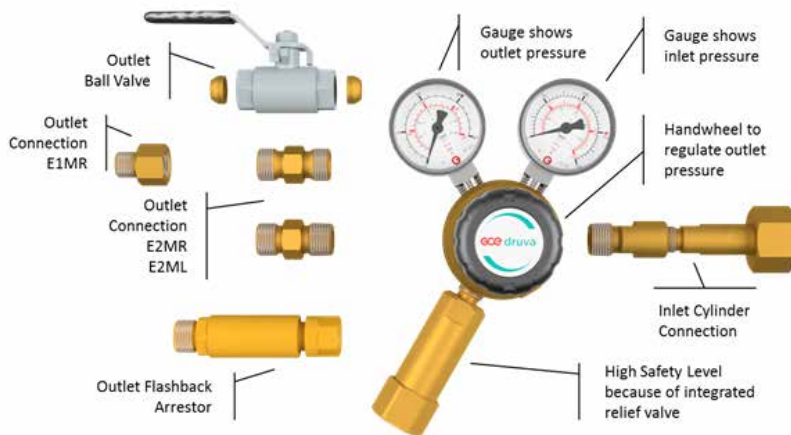
Information	Value	Unit
Nominal flow	100	m ³ /h
Inlet pressure (max.)	300	bar
Outlet pressure (max.)	50	bar

3.6. OPERATING CONDITIONS

Information	Value	Unit
Temperature range	-20 till +60	°C
Relative humidity (max.)	98	%

4. SET-UP AND FUNCTION

4.1. OVERVIEW CTMHOSJ/ CTMHESJ



4.2. BRIEF DESCRIPTION

The operation of the cylinder bundle regulator works manual with the handwheel. The inlet and outlet pressure are displayed on the inlet and outlet pressure gauge. Different components could be additional for handling:

- Ball Valve at the outlet
- Flashback Arrestor at the outlet

5. TRANSPORT, PACKAGING AND STORAGE

EN



TIPS AND RECOMMENDATIONS!

- The installation and start-up of this gas supply panel is normally done by the supplier or by authorized personnel.
- Even though there can be some users or maintenance personnel who care about the packaging. The following notes should be observed accordingly.

5.1. SAFETY INFORMATION FOR TRANSPORTATION



NOTE!

- **Damages caused by inappropriate transportation!**
- If transported inappropriately, consignments can fall or topple over. This can cause considerable property damage.
- When unloading the consignments on delivery and transporting them on the premises, act with caution and observe the symbols and warnings on the packaging.
- Use only the attachment points provided.
- Do not remove the packaging until you are ready to assemble the regulator.

5.2. TRANSPORT INSPECTION

Upon delivery, check immediately that the consignment is complete and has not been damaged during transit. Procedure on detection of visible transport damage:

- Refuse acceptance of the delivery or only accept subject to reservation
- Record the extent of the damage on the transportation documentation or on the forwarder's delivery note
- File a complaint



TIPS AND RECOMMENDATIONS!

- Report each and every defect as soon as you discover it. Claims for damages can only be asserted within the specified periods.

5.3. PACKAGING

The individual consignments are packed according to the anticipated transport conditions. Without exception all packaging is made of environmentally friendly material.

The packaging is intended to protect the individual components against transport damage, corrosion and other damage until they are ready for installation. Do not, therefore, destroy the packaging; only remove it when assembly is imminent.



NOTE!

- **Risk of environmental harm through incorrect disposal!**
- Packaging materials are valuable raw materials. In many cases they can be re-used or recycled. Incorrect disposal of packaging materials can harm the environment.
- Dispose of packaging materials in an environmentally compatible manner.
- Observe locally applicable disposal regulations. If necessary, commission a specialist disposal firm.

5.4. STORAGE

Store the packages in the following conditions:

- Do not store outdoors
- Store in a dry and dust-free location
- Do not expose to aggressive media
- Protect from sunlight radiation
- Avoid mechanical jolts
- Storage temperature: 15 to 35 °C
- Relative humidity: max. 60 %
- If storing for longer than 3 months, regularly inspect the general condition of all parts and the packaging. If necessary re-apply or renew the rust-proofing



TIPS AND RECOMMENDATIONS!

- Some packages may bear labels with storage information that extends beyond these requirements. These notes should be observed accordingly.

6. INSTALLATION AND INITIAL START-UP

EN

6.1. SAFETY NOTES FOR INSTALLATION AND INITIAL START-UP

STAFF

Installation and initial start-up of the system may only be performed by qualified staff.

6.2. PREPARATION

UNPACKING

- The system components should be removed from their packaging carefully and prudently.
- Additional protective packaging should also be removed.
- Check all components of damages from transport

DEPRESSURIZE

- Depressurize components and purge with inert gas if necessary
- Cut tubing with special tool; avoid contaminations (dirt, cuttings, etc.)
- Check perfect condition of components and purity of connections

6.3. INSTALLATION

Only use pressure regulators with cylinder connection according to the several gases and the national and international directives (DIN477, AFNOR, etc.).



DANGER!

- Thread of cylinder valve and nut must be in perfect condition.



WARNING!

- Always use new gaskets only. Gaskets must not be deformed and must not show any traces of dirt or metal chips.



WARNING!

- Do not use a key extension, otherwise the thread and seal may be destroyed. This can lead to leakage, uncontrolled gas leakage or complete outflow of the gas.



WARNING!

- When connecting or changing cylinders with toxic or corrosive gases, take appropriate personal protection measures must be taken (respiratory protection, eye protection and protective clothing).
- Observe MAK values (see Technical Rules for Hazardous Substances, TGRS 900). Have ready proper respiratory filters. Only use cylinder pressure reducers with purging device.



ATTENTION!

- Before connecting, check the type label to ensure that the component is suitable for the intended use.

6.3.1. CONNECTING OF THE GAS CYLINDER OR BUNDLE

- First connect swivel nut with hand at cylinder valve.
- Consider right and left thread!
- Fix the regulator to cylinder valve, don't tilt.
- Tighten the swivel nut with wrench.
- Attention don't use wrench extension, thread and gasket could be damaged. This would lead to leakage, uncontrollable gas discharge or complete discharge of gas.



In most cases hoses are connected with adapters according to EN 560.

6.4. REQUIRED QUALIFICATIONS FOR INITIAL START-UP AND CYLINDER/ BUNDLE CHANGING

- The test protocols from the piping according to tightness and if necessary, moisture and particles are available
- Process gas tubes, vent piping and purge gas tubing, safety valve and check valve tubing if existent is connected
- In process gas tubing is only standard gas (see 1.2)
- The start-up is only realized by qualified personal
- Wear safety clothes according to regulations
- Use spark-free tools and provide before installation
- Before first start-up check type label, if the cylinder regulator is suitable for the provided purpose (gas, pressure, material, etc.)

6.5. INITIAL START UP

- All requirements are fulfilled as on point 6.4
- Cylinder bundle regulator is depressurized, handwheel turned completely to left side



WARNING!

- Make sure the cylinder bundle regulator is not exposed to pressure levels that exceed their respective permissible nominal pressure.

6.5.1. FILL THE PROCESS GAS TUBING WITH PROCESS GAS

Adjust the pressure with the handwheel turning clockwise. Cylinder bundle regulator is now in operation.

It is recommended to check the pressure regulator every day and to check the pressures.

6.5.2. CYLINDER CHANGE



WARNING!

- During changing gas cylinders with toxic or corrosive gas consider personal safety provisions (breathing protection, eye protection, protective clothes)
- Consider MAK-values (see technical rules for hazardous material, TRGS 900), choose correct respirator filter.



DANGER!

- If the cylinder regulator is used with toxic and/ or corrosive gases, the component must be purged with inert purge gas (external gas purging with triple purge block). Therewith dangerous rest gas is removed through purge gas tubing.

PREPARATION

1. Close gas cylinder or bundle valve
2. Empty pressure regulator, inlet and outlet gauge must show "0"
3. Turn the handwheel of cylinder bundle regulator anti clockwise all the way to stop, regulator is closed
4. Close outlet ball valve, if existent

EN

6.5.3. TAKING GAS SUPPLY OUT OF OPERATION



BEWARE!

- Consider in general when dismantling: Depressurize pressure regulator and tubing through consumer
 - Inlet and outlet gauge must show „0“
 - Purge with inert gas, when corrosive and / or toxic gas is used
 - Consider personal safety provisions (breathing protection, eye protection, protective clothes)
 - Consider MAK-values (see technical rules for hazardous material, TRGS 900), choose correct respirator filter
1. Close cylinder valve
 2. Depressurize regulator, inlet and outlet gauge must show "0"
 3. Turn handwheel of pressure regulator anti clockwise all the way to stop
 4. Close outlet ball valve, if existent
 5. Depressurize tubing system!
- Cylinder bundle regulator is now out of operation. Now reparation and/ or maintenance work could be done.

6.6. TESTS

- After pressurizing the complete function of cylinder bundle regulator should be tested
- Check relief valve

7. OPERATION

In reference to chapter 2.1 the operation of the cylinder bundle regulator is defined.



BEWARE!

- Cylinder regulators must always be opened slowly and carefully to prevent pressure surges in the system and damage to the other components!

For a brief interruption of gas removal, it is enough to close ball valve on the regulator, if existent. For a longer interruption the regulator must be released from pressure by turning the handwheel anti clockwise.

Close the cylinder valve as a safety precaution.

8. MAINTENANCE

8.1. SAFETY NOTES FOR MAINTENANCE



NOTE!

- Maintenance may only be performed by sufficiently qualified, trained and authorized individuals (see section 2.4)

8.2. MAINTENANCE PLAN

The following sections describe the maintenance works that must be performed to ensure the optimum and trouble-free operation of the regulator.

If regular inspections reveal increased wear, the requisite maintenance intervals must be shortened to reflect the actual wear and tear.



NOTE!

- Please contact the manufacturer if you have any questions relating to maintenance works and intervals (see 1.8 for contact details).

Interval	Maintenance work	Personal
Weekly	Check all components visually	Competent Person (TRBS 1203)
Every year	Checking function & tightness, check for all safety relevant components	Competent Person (TRBS 1203)
Every 10 years	General overhaul and replacement of all wearing parts	Competent Person (TRBS 1203)

8.3. MAINTENANCE WORK

8.3.1. CLEANING



NOTE!

- All cleaning agents must be compatible with the materials of the installed component.

8.3.2. REQUIREMENTS FOR MAINTENANCE

CHECK BEFORE MAINTENANCE START, IF:

- Gas supply is disconnected and safe
- Manifold is depressurized
- Pressure regulator is depressurized
- Valves are closed
- No process gas inside component.
- System is purged and filled with inert gas.

8.3.3. NECESSARY MAINTENANCE

- Check accuracy of pressure gauges
- Manifold, pressure regulator, valve and gauges: check condition, function and labeling
- Check labelling
- Check for corrosion
- Check function
- Pressure test with 1-times working pressure for 12 hours
- Worn and defective components must be changed immediately from authorized qualified company
- Valve is designed according to ISO 10297, including type test with cycle test from up to 2000 cycles. Change inner parts after 2000 cycles, change must be done from authorized qualified company
- If there are any leakages or too much corrosion at the manifold/ pressure regulator or valve, component must be replaced with all connections by an authorized company
- After the changing of components or tubes, pressure and leakage test must be done again and be protocolled

8.4. MEASURES FOLLOWING MAINTENANCE

THE FOLLOWING STEPS MUST BE PERFORMED WHEN THE MAINTENANCE WORKS HAVE BEEN COMPLETED AND BEFORE SWITCHING ON THE SYSTEM.

1. Make sure that all tools, materials and other equipment have been removed from work area.
2. Clean the work area and remove any spilled substances, e.g. liquids, processing material or similar.
3. Make sure that safety relevant components are working perfect.

The following steps must be performed when the maintenance works have been completed and before switching on the system.

1. Make sure that all tools, materials and other equipment have been removed from work area.
2. Clean the work area and remove any spilled substances, e.g. liquids, processing material or similar.
3. Make sure that safety relevant components are working perfect.

EN

9. TROUBLESHOOTING

The following section describes possible causes of malfunction and how to eliminate them. If malfunctions occur with increasing regularity, shorten the maintenance intervals to reflect the actual load. If malfunctions occur that cannot be eliminated with the following help, please contact the manufacturer (see section 1.8 for contact details).

9.1. SAFETY NOTES FOR TROUBLESHOOTING

In any case of malfunction, the shut-off valves of the connected gas cylinder, gas container or bundle must be closed. Never operate devices with malfunctions under pressure.

WHAT TO DO IN CASE OF MALFUNCTION:

1. Interrupt and ensure gas supply.
2. Depressurize pressure regulators and close valves.
3. Only trained technical staff may eliminate malfunctions.
4. Restore component to its original state.

Description	Reason	Solution	Valve	Cylinder Regulator	Line Regulator	Gas Supply Panel
No Flow (Inlet Gauge shows pressure, outlet gauge not)	Pressure Regulator is closed	Open pressure regulator slowly Close purge valve		<input checked="" type="checkbox"/>	<input checked="" type="checkbox"/>	<input checked="" type="checkbox"/>
No Flow (Inlet and Outlet Gauge show „0“)	Cylinder Valve closed Processgas Valve closed Pressure Regulator closed Cylinder coil/ hose not connected	Initial Start- Up see point 6 Installation and initial start-up		<input checked="" type="checkbox"/>	<input checked="" type="checkbox"/>	<input checked="" type="checkbox"/>
No Flow	Handwheel closed	Open hand-wheel slowly	<input checked="" type="checkbox"/>			
Increase of outlet pressure & relief valve opens	Leakage in pressure regulator seat	Repair by manufacturer		<input checked="" type="checkbox"/>	<input checked="" type="checkbox"/>	<input checked="" type="checkbox"/>
Slight increase of outlet pressure & relief valve does not open	Inlet pressure drop	No failure, normal operating state		<input checked="" type="checkbox"/>	<input checked="" type="checkbox"/>	<input checked="" type="checkbox"/>

Description	Reason	Solution	Valve	Cylinder Regulator	Line Regulator	Gas Supply Panel
Slight increase of outlet pressure	Difference between flow pressure (with gas flow) and Zero Pressure (without gas flow)	No failure, normal operating state		<input checked="" type="checkbox"/>	<input checked="" type="checkbox"/>	<input checked="" type="checkbox"/>
Slight drop of outlet pressure	Difference between flow pressure (with gas flow) and Zero Pressure (without gas flow)	No failure, normal operating state		<input checked="" type="checkbox"/>	<input checked="" type="checkbox"/>	<input checked="" type="checkbox"/>
Heavy drop of outlet pressure	Required flow to high for pressure regulator	Choose new pressure regulator for required pressure and flow		<input checked="" type="checkbox"/>	<input checked="" type="checkbox"/>	<input checked="" type="checkbox"/>
Heavy drop of outlet pressure	Leakage in process gas tubing	Check process gas tubing		<input checked="" type="checkbox"/>	<input checked="" type="checkbox"/>	<input checked="" type="checkbox"/>
Outlet Pressure to high	Wrong settings for pressure regulator	Adjust pressure regulator settings, readjust pressure regulator, maintenance		<input checked="" type="checkbox"/>	<input checked="" type="checkbox"/>	<input checked="" type="checkbox"/>
Outlet pressure increase immediately all the way to the stop or outlet pressure increases and gets slowly higher than set value and relief valve opens	Pollution or damage of pressure regulator seat "Creep"	Repair by manufacturer		<input checked="" type="checkbox"/>	<input checked="" type="checkbox"/>	<input checked="" type="checkbox"/>
Noise during operation	Required flow too high for pressure regulator	Choose new pressure regulator for required pressure and flow		<input checked="" type="checkbox"/>	<input checked="" type="checkbox"/>	<input checked="" type="checkbox"/>
No changes of valve control when turning the handwheel	Defect handwheel because of too high torque, defect of spindle, defect of thread	Repair by manufacturer	<input checked="" type="checkbox"/>	<input checked="" type="checkbox"/>	<input checked="" type="checkbox"/>	<input checked="" type="checkbox"/>

Description	Reason	Solution	Valve	Cylinder Regulator	Line Regulator	Gas Supply Panel
Moisture on pressure regulator (NO dew, rain or snow)	Pressure regulator withdraw energy from environment through gas expansion	No failure, normal operating state		☑	☑	☑
Icing on pressure regulator (NO dew, rain or snow)	Pressure regulator withdraw energy from environment through gas expansion, limited delivery performance from pressure gas tanks, e.g. N2O, CO2	No failure, normal operating state ATTENTION: keep functionality of contact gauges in mind, raise quantity of pressure gas tanks		☑	☑	☑

This table is not exhaustive. For questions and ambiguities please contact manufacturer. Contact details section 1.8.

10. DISMANTLING AND DISPOSAL

Once the system has reached its end-of-life, it must be dismantled and disposed of in an environmentally compatible way.

10.1. SAFETY NOTES FOR DISMANTLING AND DISPOSAL

 **WARNING!**

- **Risk of injury through incorrect dismantling!**
RESIDUAL ENERGY STORAGE, SHARP EDGED COMPONENTS, TIPS AND CORNERS ON AND IN THE SYSTEM OR ON THE REQUIRED TOOLS CAN CAUSE INJURY.

- arrange enough space for working
- be careful with sharp edges
- pay attention for order and cleanness
- loose components can cause accidents
- dismantle the components properly. Bear in mind that some of the components are heavy. Use lifting equipment if necessary
- secure the components against falling or toppling over

10.2. DISMANTLING

PRIOR STARTING DISMANTLING
 Depressurize cylinder regulator by turning the handwheel anti clockwise.
 Depressurize cylinder regulator and make sure that there is no process gas inside.
 Depressurize tubing system and purge with inert gas if necessary.
 Dismantle the assemblies and components properly and in compliance with applicable local work safety and environmental protection regulations.

 **WARNING!**

- **Do not open system filled or used with toxic and/ or corrosive gases.**

10.3. DISPOSAL

In the absence of a return or disposal agreement, the dismantled components should be recycled as follows:

Metals: scrap.

Plastics: recycle.

Other components: sort and dispose.

In accordance with Article 33 of REACH GCE, s.r.o. as responsible manufacturer shall inform all customers if materials containing 0.1% or more of substances included in the list of Substance of Very High Concern (SVHC).

The most commonly used brass alloys used for bodies and other brass components contain 2-3% of lead (Pb), EC no. 231-468-6, CAS no. 7439-92-1. The lead will not be released to the gas or surrounding environment during normal use. After end of life the product shall be scrapped by an authorized metal recycler to ensure efficient material handling with minimal impact to environment and health.

To date we have no information that indicates that other materials containing SVHC of concentrations exceeding 0.1% are included in any GCE product.



NOTE!

- ***Risk of environmental harm through incorrect disposal!***
- Incorrect disposal can harm the environment.
- Commission a specialized licensed firm to dispose of electrical waste, electronic components, lubricants and other auxiliary materials.
- If in doubt, enquire how to ensure environmentally compatible disposal at your local council office or consult a specialist disposal firm.

MANUFACTURER:

GCE, s.r.o.

Zizkova 381

583 01 Chotebor

Czech Republic

Tel : +420 569 661 111

Fax : +420 569 661 602

<http://www.gcegroup.com>

© GCE, s.r.o.

EN

INHALT

DE

1 Allgemeines	30
1.1 Information zu dieser Anleitung	30
1.2 Information zum Bündelflaschendruckregler	30
1.3 Symbolerklärung	31
1.4 Haftungsbeschränkung	32
1.5 Urheberrecht	32
1.6 Ersatzteile	32
1.7 Gewährleistungsbestimmungen	32
1.8 Kundenservice	32
2 Sicherheit	33
2.1 Bestimmungsgemäße Verwendung	33
2.1.1 Bauliche Veränderungen am Bündelflaschendruckregler	33
2.2 Grundsätzliche Gefahren	33
2.3 Verantwortung des Betreibers	34
2.4 Personalanforderungen	35
2.4.1 Qualifikationen	35
2.4.2 Unbefugte	35
2.4.3 Unterweisung	36
2.5 Persönliche Schutzausrüstung	36
2.6 Verhalten bei Feuersbruch und bei Unfällen	37
2.7 Umweltschutz	37
2.8 Beschilderung	37
2.8.1 Gebotzeichen	37
2.8.2 Verbotzeichen	37
2.8.3 Warnzeichen	37
3 Technische Daten	38
3.1 Fließschema	38
CTMHOSJ000/ CTMHESJ000	38
CTMHOSJ00N/ CTMHOSJ00F/ CTMHESF00N/ CTMHESJ00F	38
CTMHOSJOB0/ CTMHESJOB0	38
CTMHOSJOBN/ CTMHOSJOBF/ CTMHESF0BN/ CTMHESJOBF	39
3.2 Massblatt	40
3.3 Allgemeine Angaben	42
3.4 Anschlusswerte	42
3.5 Leistungswerte	43
3.6 Betriebsbedingungen Umgebung	43
4 Aufbau und Funktion	43
4.1 Übersicht CTMHOSJ/ CTMHESJ	43
4.2 Kurzbeschreibung	43
5 Transport, Verpackung und Lagerung	44
5.1 Sicherheitshinweise für den Transport	44
5.2 Transport Inspektion	44
5.3 Verpackung	44
5.4 Lagerung	44

- 6 Installation und Erstinbetriebnahme 45
 - 6.1 Sicherheitshinweise für die Installation und Erstinbetriebnahme 45
 - 6.2 Vorbereitungen 45
 - 6.3 Installation..... 45
 - 6.3.1 Anschließen der Gasflasche..... 46
 - 6.4 Voraussetzung zur Erstinbetriebnahme..... 46
 - 6.5 Erstinbetriebnahme..... 46
 - 6.5.1 Füllen der Prozessgasleitung mit Prozessgas 46
 - 6.5.2 Flaschenwechsel 47
 - Vorbereitung..... 47
 - 6.5.3 Außerbetriebnahme 47
 - 6.6 Prüfungen 47
- 7 Betrieb 47
- 8 Wartung 48
 - 8.1 Sicherheitshinweise für die Wartung 48
 - 8.2 Wartungsplan 48
 - 8.3 Wartungsarbeiten 48
 - 8.3.1 Reinigung..... 48
 - 8.3.2 Voraussetzung zur Wartung 48
 - 8.3.3 Notwendige Wartungsleistung..... 48
 - 8.4 Massnahmen nach erfolgter Wartung 49
- 9 Störungen 49
 - 9.1 Sicherheitshinweise für die Störungsbehebung..... 49
- 10 Demontage und Entsorgung..... 51
 - 10.1 Sicherheitshinweise für die Demontage und Entsorgung..... 51
 - 10.2 Demontage 52
 - 10.3 Entsorgung..... 52

DEUTSCH

GEBRAUCHSANLEITUNG: 6-PORT FLASCHENDRUCKREGLER

1. ALLGEMEINES

1.1. INFORMATION ZU DIESER ANLEITUNG

Diese Anleitung gilt nur für Bündelflaschendruckregler des Typs:

- CTMHOSJ, CTMHESJ

Bündelflaschendruckregler sind für den direkten Anschluss an Gasflaschen oder Bündeln zur Reduzierung des Flaschendrucksauf niedrige Ausgangsdruckbereiche vorgesehen. Die Flaschenanschlüsse haben nach der jeweiligen Norm (DIN 477, AFNOR, etc.), der Gasart entsprechend, unterschiedliche Gewinde. Bitte beachten.

Diese Anleitung ermöglicht den sicheren und effizienten Umgang mit dem Gerät. Die Anleitung ist Bestandteil des Geräts und muss in unmittelbarer Nähe des Geräts für das Personal jederzeit zugänglich aufbewahrt werden.

Das Personal muss diese Anleitung vor Beginn aller Arbeiten sorgfältig durchgelesen und verstanden haben. Grundvoraussetzung für sicheres Arbeiten ist die Einhaltung aller angegebenen Sicherheitshinweise und Handlungsanweisungen in dieser Anleitung.

Darüber hinaus gelten die örtlichen Unfallverhütungsvorschriften und allgemeinen Sicherheitsbestimmungen für den Einsatzbereich des Geräts.

Abbildungen in dieser Anleitung dienen dem grundsätzlichen Verständnis und können von der tatsächlichen Ausführung abweichen.

1.2. INFORMATION ZUM BÜNDELFLASCHENDRUCKREGLER

Bündelflaschendruckregler dieses Typs dürfen nur mit denen als Standardgas definierten Gases verwendet werden. Der Maximale Arbeitsdruck der Bündelflaschendruckregler beträgt 300 bar.

Produkt Linie	DruvaTEC Linie MID Flow (Messing)
H0 - Hochdruck Regler mit FKM Dichtung im Abblaseventilsitz	<ul style="list-style-type: none">• Verwendbare Gase (inclusive deren Mischungen)<ul style="list-style-type: none">• Industriell• Inert• Entzündbar• Oxidierend• O₂• NICHT verwendbare Gase (inclusive deren Mischungen)<ul style="list-style-type: none">• Ätzend• Giftig• CO₂, N₂O
HE - Hochdruck Regler mit EPDM Dichtung im Abblaseventilsitz	<ul style="list-style-type: none">• Verwendbare Gase (inclusive deren Mischungen)<ul style="list-style-type: none">• Industriell• Inert• Entzündbar• CO₂, N₂O• NICHT verwendbare Gase (inclusive deren Mischungen)<ul style="list-style-type: none">• Ätzend• Giftig• O₂
HS – Hochdruckregler mit Edelstahlinnenteilen und EPDM O-Ringen	Gasgemisch mit geringem Anteil an Stickstoffmonoxid (NO)

Diese Tabelle erhebt keinen Anspruch auf Vollständigkeit. Bei Fragen und Unklarheiten kontaktieren Sie bitte den Hersteller. Kontakt unter Kapitel 1.8.

DE

Einstufige Bündelflaschendruckregler mit Metallmembran in 6-Port Ausführung. Hergestellt und zugelassen nach ISO 7291 inklusive des notwendigen Sauerstoff-Ausbrandtest.

Der Bündelflaschendruckregler besteht aus Druckregelkörper, Eingangs- und Ausgangsdruckmanometer, Flaschenanschluss sowie einem Abblaseventil. Er ist mit diversen Anschlussverschraubungen und/ oder mit diversen Zusatzkomponenten erhältlich.

Optionen:

- 00 - HP OHNE + LP OHNE
- 0B - HP OHNE + LP KUGELHAHN

Specials:

- 0 - OHNE
- F - SICHERHEITSEINRICHTUNG MIT INTEGRIERTER FLAMMENSPERRE
- N - SICHERHEITSEINRICHTUNG MIT INTEGRIERTER FLAMMENSPERRE FÜR SAUERSTOFF & DRUCKLUFT

DE

1.3. SYMBOLERKLÄRUNG

SICHERHEITSHINWEISE	Sicherheitshinweise sind in dieser Anleitung durch Symbole gekennzeichnet. Die Sicherheitshinweise werden durch Signalworte eingeleitet, die das Ausmaß der Gefährdung zum Ausdruck bringen.
	GEFAHR! Diese Kombination aus Symbol und Signalwort weist auf eine unmittelbar gefährliche Situation hin, die zum Tod oder zu schweren Verletzungen führt, wenn sie nicht gemieden wird.
	WARNUNG! Diese Kombination aus Symbol und Signalwort weist auf eine möglicherweise gefährliche Situation hin, die zum Tod oder zu schweren Verletzungen führen kann, wenn sie nicht gemieden wird.
	VORSICHT! Diese Kombination aus Symbol und Signalwort weist auf eine möglicherweise gefährliche Situation hin, die zu geringfügigen oder leichten Verletzungen führen kann, wenn sie nicht gemieden wird.
	HINWEIS! Diese Kombination aus Symbol und Signalwort weist auf eine möglicherweise gefährliche Situation hin, die zu Sach- und Umweltschäden führen kann, wenn sie nicht gemieden wird.
	TIPPS UND EMPFEHLUNGEN Dieses Symbol hebt nützliche Tipps und Empfehlungen sowie Informationen für einen effizienten und störungsfreien Betrieb hervor.
BESONDERE HINWEISE	Um auf besondere Gefahren aufmerksam zu machen, werden in Sicherheitshinweisen folgende Symbole eingesetzt.
	GEFAHR! Diese Kombination aus Symbol und Signalwort weist auf eine unmittelbar gefährliche Situation durch elektrischen Strom hin. Wird ein so gekennzeichnete Hinweis nicht beachtet, sind schwere oder tödliche Verletzungen die Folge.

1.4. HAFTUNGSBESCHRÄNKUNG

Alle Angaben und Hinweise in dieser Anleitung wurden unter Berücksichtigung der geltenden Normen und Vorschriften, des Stands der Technik sowie unserer langjährigen Erkenntnisse und Erfahrungen zusammengestellt. In folgenden Fällen übernimmt der Hersteller für Schäden keine Haftung:

- Nichtbeachtung dieser Anleitung
- von der bestimmungsgemäßen, abweichenden Verwendung
- Einsatz von nicht ausgebildetem Personal
- eigenmächtige technische und bauliche Veränderungen
- Verwendung nicht zugelassener Ersatzteile
- Betreiben des druckführenden Gerätes bei defekten Sicherheitseinrichtungen oder nicht funktionsgemäß angebrachten oder nicht funktionsfähigen Sicherheits- und Schutzvorrichtungen
- mangelhafte Überwachung von Ausrüstungs-, Verschraubungs- und Dichtungsteilen, die einem Verschleiß unterliegen
- unsachgemäß durchgeführte Reparaturen
- Überschreitung oder Unterschreitung des im Datenblatt angegebenen Temperaturbereichs während des Betriebes bzw. während der Lagerung
- Katastrophenfälle durch Fremdkörpereinwirkung und höhere Gewalt

Der tatsächliche Lieferumfang kann bei Sonderausführungen, der Inanspruchnahme zusätzlicher Bestelloptionen oder aufgrund neuester technischer Änderungen von den hier beschriebenen Erläuterungen und Darstellungen abweichen. Es gelten die im Liefervertrag vereinbarten Verpflichtungen, die allgemeinen Geschäftsbedingungen sowie die Lieferbedingungen des Herstellers und die zum Zeitpunkt des Vertragsabschlusses gültigen gesetzlichen Regelungen.

1.5. URHEBERSCHUTZ

Die Inhalte dieser Anleitung sind urheberrechtlich geschützt. Ihre Verwendung ist im Rahmen der Nutzung des Geräts zulässig. Eine darüberhinausgehende Verwendung ist ohne schriftliche Genehmigung des Herstellers nicht gestattet.

1.6. ERSATZTEILE



WARNUNG!

- Verletzungsgefahr durch die Verwendung falscher Ersatzteile!
- Durch die Verwendung falscher oder fehlerhafter Ersatzteile können Gefahren für das Personal entstehen sowie Beschädigungen, Fehlfunktionen oder Totalausfall verursacht werden.
- Nur Originalersatzteile des Herstellers oder vom Hersteller zugelassene Ersatzteile verwenden.
- Bei Unklarheiten stets Hersteller kontaktieren.



GARANTIEVERST!

- Bei Verwendung nicht zugelassener Ersatzteile erlischt die Herstellergarantie

1.7. GEWÄHRLEISTUNGSBESTIMMUNGEN

Die Gewährleistungsbestimmungen sind in den Allgemeinen Geschäftsbedingungen des Herstellers enthalten. Siehe AGBs Abschnitt VI. Mängelansprüche.

1.8. KUNDENSERVICE

GCE GmbH
 Weyherser Weg 8
 DE-36043 Fulda
 +49 (0) 661 8393 -0
 www.gcegroup.com
 service.druva@gcegroup.com

Wir sind stets an Informationen und Erfahrungen interessiert, die sich aus der Anwendung ergeben und für die Verbesserung unserer Produkte wertvoll sein können.

2. SICHERHEIT

Dieser Abschnitt gibt einen Überblick über alle wichtigen Sicherheitsaspekte für den Schutz von Personen sowie für den sicheren und störungsfreien Betrieb. Weitere aufgabenbezogene Sicherheitshinweise sind in den Abschnitten zu den einzelnen Lebensphasen enthalten.

2.1. BESTIMMUNGSGEMÄSSE VERWENDUNG

Der Bündelflaschendruckregler CTMHO/ CTMHESJ sind nur für die angegebenen Gase und Drücke unter Einhaltung der angegebenen Temperaturen zu verwenden. Der nominale Volumenstrom beträgt 100 m³/h.

Zur bestimmungsgemäßen Verwendung gehören auch die Einhaltung aller Angaben und Hinweise in dieser Anleitung und die Einhaltung der Inspektions- und Wartungsarbeiten, sowie das Beachten des Typenschildes und der Datenblätter. Jede über die bestimmungsgemäße Verwendung hinausgehende oder andersartige Benutzung gilt als Fehlgebrauch.

DE



WARNUNG!

- **Gefahr bei Fehlgebrauch!**
- Fehlgebrauch der Bündelflaschendruckregler kann zu gefährlichen Situationen führen.
- Niemals den Bündelflaschendruckregler als Durchflussregelement oder als Absperrventil verwenden.
- Niemals den Bündelflaschendruckregler für Flüssigkeiten verwenden.

2.1.1. BAULICHE VERÄNDERUNGEN AM BÜNDELFLASCHENDRUCKREGLER

Ohne schriftliche Genehmigung des Herstellers keine Veränderung, An- oder Umbauten am Bündelflaschendruckregler vornehmen.

Bündelflaschendruckregler in nicht einwandfreiem Zustand sind sofort auszutauschen.

Reinigung der Gasgeräte und Entsorgung der Rückstände

Verwendete zur Reparatur anstehende Bündelflaschendruckregler sind mit einem inerten Gas (Stickstoff) zu spülen.

Geräuscentwicklung

In einigen Fällen kann das ungünstige Zusammenwirken bestimmter Einflussgrößen, wie z.B. Durchfluss und Druckbereich, aber auch die Gasart selbst zu Geräuscentwicklung führen. Bitte setzen Sie sich in diesen Fällen mit dem Hersteller in Verbindung.

2.2. GRUNDSÄTZLICHE GEFAHREN

Im folgenden Abschnitt sind Restrisiken benannt, die vom Gerät auch bei bestimmungsgemäßer Verwendung ausgehen können.

Um die Risiken von Personen- und Sachschäden zu reduzieren und gefährliche Situationen zu vermeiden, müssen die hier aufgeführten Sicherheitshinweise und die Sicherheitshinweise in den weiteren Abschnitten dieser Anleitung beachtet werden.



GEFAHR!

- **Gase können lebensgefährlich sein!**
- Gase können die Luft verdrängen und damit den darin enthaltenen Sauerstoff. Dies kann zum Erstickenstod führen. Sauerstoff bildet eine hoch oxidative Atmosphäre. Entzündbare Gase können eine explosive Atmosphäre bilden.

DAHER:

- Für ausreichende Belüftung sorgen!
- Installation nur durch eine zertifizierte Fachfirma!
- ATEX Richtlinien beachten



ACHTUNG!

- **Gefahren die durch die Umgebung entstehen können!**
- Durch Kondensation und/ oder Vereisung können defekte am Gerät entstehen.

DAHER:

- Temperaturbereiche beachten!
- Schützen Sie das Gerät gegen Flüssigkeiten von außen!
- Schützen Sie das Gerät gegen Staub von außen!
- Wettergeschützt montieren!
- Vorhandene Erdung sachgemäß anbringen!

DE



WARNUNG!

- **Unfallgefahr bei der Verwendung von Öl und Fett!**
- Öle und Fette dürfen in Druckregelsystemen grundsätzlich nicht verwendet werden. Öle und Fette sind hochentzündlich und reagieren heftig mit bestimmten komprimierten Gasen.

DAHER:

- Keinesfalls Öl und Fett einsetzen!



WARNUNG!

- **Unfallgefahr durch im System gespeicherte Energie!**
- Durch falsche Handhabung können drucktragende Teile oder Einzelteile dieser unkontrolliert in Bewegung geraten und ernsthafte oder sogar tödliche Verletzungen verursachen. Durch falsche Handhabung kann Gas aus den drucktragenden Teilen austreten und ernsthafte oder sogar tödliche Verletzungen hervorrufen.

VOR BEGINN ALLER ARBEITEN MIT DRUCKTRAGENDEN TEILEN:

- Installation nur durch eine zertifizierte Fachfirma!
- Schutzbrille tragen!
- Gehörschutz tragen!
- Sicherstellen, dass System nicht unter Druck steht!
- Sicherstellen, dass keine Energie mehr im System gespeichert ist!
- Sicherstellen, dass kein Gas ungewollt austreten kann!
- Sicherstellen, dass defekte Teile unmittelbar durch geschultes Personal ausgetauscht werden!



WARNUNG!

- **Unfallgefahr!**
- Durch falsche Installation kann es zu ernsthafte oder sogar tödliche Verletzungen kommen.

DAHER:

- Sicherung der Geräte vor Herunterfallen während der Installation!
- Geräte nicht werfen!

Drucktragende Teile sind nur für die bestimmungsgemäße Verwendung zu benutzen.

Bei mechanischer Beschädigung der Rohrleitungen und Armaturen muss das System in den sicheren Zustand gebracht werden (betroffenen Abschnitt sperren).

Störungen, welche die Sicherheit beeinträchtigen können, sind umgehend durch dafür geschulte und qualifizierte Mitarbeiter bzw. den Hersteller zu beseitigen.

Besonders bei Gasen besteht die Gefahr eines Defektes am Leitungsdruckregler. Kennzeichen dafür sind entweder kein Gasdurchfluss nach dem Druckregler oder ein plötzlicher Hinterdruckanstieg. Bei Defekt des Druckreglers ist das System sofort außer Betrieb zu nehmen. Die zuständige Wartungsfirma ist unbedingt zu informieren. Nie Abblaseleitungen verschließen.

2.3. VERANTWORTUNG DES BETREIBERS

BETREIBER

Betreiber ist diejenige Person, die das Gerät zu gewerblichen oder wirtschaftlichen Zwecken selbst betreibt oder einem Dritten zur Nutzung/Anwendung überlässt und während des Betriebs die rechtliche Produktverantwortung für den Schutz des Benutzers, des Personals oder Dritter trägt.

BETREIBERPFLICHTEN

Das Gerät wird im gewerblichen Bereich eingesetzt. Der Betreiber des Geräts unterliegt daher den gesetzlichen Pflichten zur Arbeitssicherheit.

Neben den Sicherheitshinweisen in dieser Anleitung müssen die für den Einsatzbereich des Geräts gültigen Sicherheits-, Unfallverhütungs- und Umweltschutzvorschriften eingehalten werden.

DABEI GILT INSBESONDERE FOLGENDES:

- Der Betreiber muss sich über die geltenden Arbeitsschutzbestimmungen informieren und in einer Gefährdungsbeurteilung zusätzlich Gefahren ermitteln, die sich durch die speziellen Arbeitsbedingungen am Einsatzort des Geräts ergeben. Diese muss er in Form von Betriebsanweisungen für den Betrieb des Geräts umsetzen.
- Der Betreiber muss während der gesamten Einsatzzeit des Geräts prüfen, ob die von ihm erstellten Betriebsanweisungen dem aktuellen Stand der Regelwerke entsprechen, und diese, falls erforderlich, anpassen.
- Der Betreiber muss die Zuständigkeiten für Installation, Bedienung, Störungsbeseitigung, Wartung und Reinigung eindeutig regeln und festlegen.
- Der Betreiber muss dafür sorgen, dass alle Personen, die mit dem Gerät umgehen, diese Anleitung gelesen und verstanden haben. Darüber hinaus muss er das Personal in regelmäßigen Abständen schulen und über die Gefahren informieren.
- Der Betreiber muss dem Personal die erforderliche Schutzausrüstung bereitstellen und das Tragen der erforderlichen Schutzausrüstung verbindlich anweisen.

DE

2.4. PERSONALANFORDERUNGEN

2.4.1. QUALIFIKATIONEN

Die verschiedenen in dieser Anleitung beschriebenen Aufgaben stellen unterschiedliche Anforderungen an die Qualifikation der Personen, die mit diesen Aufgaben betraut sind.



WARNUNG!

- **Gefahr bei unzureichender Qualifikation von Personen!**

- Unzureichend qualifizierte Personen können die Risiken beim Umgang mit dem Gerät nicht einschätzen und setzen sich und andere der Gefahr schwerer oder tödlicher Verletzungen aus.
- Alle Arbeiten nur von dafür qualifizierten Personen durchführen lassen!
- Unzureichend qualifizierte Personen aus dem Arbeitsbereich fernhalten!

Für alle Arbeiten sind nur Personen zugelassen, von denen zu erwarten ist, dass sie diese Arbeiten zuverlässig ausführen. Personen, deren Reaktionsfähigkeit beeinflusst ist, z. B. durch Drogen, Alkohol oder Medikamente, sind nicht zugelassen.

In dieser Anleitung werden die im Folgenden aufgeführten Qualifikationen der Personen für die verschiedenen Aufgaben benannt:

GASTECHNIK-INGENIEUR

Besitz Fachausbildung, Fähigkeiten, Erfahrung und Wissen bezüglich relevanter Normen und Richtlinien um Arbeiten an Druckregelsystemen vornehmen zu können und potentielle Risiken zu erkennen. Gastech-
nik-Ingenieure sind speziell geschult im Hinblick auf die jeweilige Produktionsstätte und deren spezifische Standards und Richtlinien.

TECHNIKER

Besitz Fachausbildung, Fähigkeiten, und Erfahrung bezüglich relevanter Normen und Richtlinien um Arbeiten an Druckregelsystemen vornehmen zu können und potentielle Risiken zu erkennen.

2.4.2. UNBEFUGTE



WARNUNG!

- **Lebensgefahr für Unbefugte durch Gefahren im Gefahren- und Arbeitsbereich!**

- Unbefugte Personen, die die hier beschriebenen Anforderungen nicht erfüllen, kennen die Gefahren im Arbeitsbereich nicht. Daher besteht für Unbefugte die Gefahr schwerer Verletzungen bis hin zum Tod.
- Unbefugte Personen vom Gefahren- und Arbeitsbereich fernhalten!
- Im Zweifel Personen ansprechen und sie aus dem Gefahren- und Arbeitsbereich weisen!
- Die Arbeiten unterbrechen, solange sich Unbefugte im Gefahren- und Arbeitsbereich aufhalten!

2.4.3. UNTERWEISUNG

Der Betreiber muss das Personal regelmäßig unterweisen. Zur besseren Nachverfolgung muss ein Unterweisungsprotokoll mit folgenden Mindestinhalten erstellt werden:

- Datum der Unterweisung
- Name des Unterwiesenen
- Inhalte der Unterweisung
- Name des Unterweisenden
- Unterschriften des Unterwiesenen und des Unterweisenden

2.5. PERSÖNLICHE SCHUTZAUSRÜSTUNG

Persönliche Schutzausrüstung dient dazu, Personen vor Beeinträchtigungen der Sicherheit und Gesundheit bei der Arbeit zu schützen.

Das Personal muss während der verschiedenen Arbeiten an und mit dem Gerät persönliche Schutzausrüstung tragen, auf die in den einzelnen Abschnitten dieser Anleitung gesondert hingewiesen wird.

DE



ATEMSCHUTZGERÄT, UMLUFT UNABHÄNGIG

Schutz vor schädlichen Gasen, Dämpfen, Stäuben und ähnlichen Stoffen. Atemschutzgeräte wie z.B. Pressluftatmer müssen eingesetzt werden, wenn ein Sauerstoffgehalt von über 17% in der Umgebungsluft nicht garantiert werden kann und/oder ein Überschreiten der zulässigen Grenzwerte schädlicher Stoffe in der Umgebungsluft nicht ausgeschlossen werden kann. Umluft unabhängige Atemschutzgeräte dürfen nur von speziell geschultem Personal getragen werden.



ATEMSCHUTZGERÄT, UMLUFT ABHÄNGIG

Schutz vor schädlichen Gasen, Dämpfen, Stäuben und ähnlichen Stoffen. Umluft abhängige Atemschutzgeräte müssen eingesetzt werden, wenn ein Überschreiten der zulässigen Grenzwerte schädlicher Stoffe in der Umgebungsluft nicht ausgeschlossen werden kann. Umluft abhängige Atemschutzgeräte dürfen nur bei einem garantierten Sauerstoffgehalt in der Atemluft von über 17% eingesetzt werden.



SCHUTZBRILLE

Schutz vor umherfliegenden Teilen und Tropfen.



HANDSCHUHE, CHEMISCH RESISTENT

Schutz der Hände vor aggressiven Substanzen. Es ist auf Dichtigkeit der Handschuhe acht zu geben. Nach Gebrauch Handschuhe fachgerecht entsorgen.



SCHUTZHANDSCHUHE

Schutz der Hände vor mechanischen Einflüssen und heißen Oberflächen.



GEHÖRSCHUTZ TRAGEN

Schützt das Gehört vor zu lauten Geräuschen und beugt Schalltraumata vor.

2.6. VERHALTEN BEI FEUERAUSBRUCH UND BEI UNFÄLLEN

VORBEUGENDE MASSNAHMEN

- Stets auf Feuer und Unfälle vorbereitet sein!
- Erste-Hilfe-Einrichtungen (Verbandkasten, Decken usw.) und Feuerlöscheinrichtungen funktionstüchtig und griffbereit aufbewahren.
- Personal mit Unfallmelde-, Erste-Hilfe- und Rettungseinrichtungen vertraut machen.
- Zufahrtswege für Rettungsfahrzeuge freihalten.

MASSNAHMEN BEI FEUERAUSBRUCH UND UNFÄLLEN

- Wenn keine Gefahr für die eigene Gesundheit besteht, Personen aus der Gefahrenzone bergen.
- Falls erforderlich Erste-Hilfe-Maßnahmen einleiten.
- Feuerwehr und/oder Rettungsdienst alarmieren.
- Bei Feuersausbruch: Wenn keine Gefahr für die eigene Gesundheit besteht, Feuer mit Feuerlöscheinrichtungen bekämpfen und Feuerbekämpfung bis zum Eintreffen der Feuerwehr fortsetzen.
- Verantwortlichen am Einsatzort informieren.
- Zufahrtswege für Rettungsfahrzeuge freimachen.
- Rettungsfahrzeuge einweisen.

DE

2.7. UMWELTSCHUTZ



HINWEIS!

- **Gefahr für die Umwelt durch falsche Handhabung von umweltgefährdenden Stoffen!**
- Bei falschem Umgang mit umweltgefährdenden Stoffen, insbesondere bei falscher Entsorgung, können erhebliche Schäden für die Umwelt entstehen.
- Die unten genannten Hinweise zum Umgang mit umweltgefährdenden Stoffen und deren Entsorgung stets beachten!
- Wenn umweltgefährdende Stoffe versehentlich in die Umwelt gelangen, sofort geeignete Maßnahmen ergreifen. Im Zweifel die zuständige Kommunalbehörde über den Schaden informieren und geeignete zu ergreifende Maßnahmen erfragen!

2.8. BESCHILDERUNG



WARNUNG!

- **Gefahr bei unleserlicher Beschilderung!**
- Im Laufe der Zeit können Aufkleber und Schilder verschmutzen oder auf andere Weise unkenntlich werden, so dass Gefahren nicht erkannt und notwendige Bedienungshinweise nicht befolgt werden können. Dadurch besteht Verletzungsgefahr.
- Alle Sicherheits-, Warn- und Bedienungshinweise in stets gut lesbarem Zustand halten.
- Beschädigte Schilder oder Aufkleber sofort erneuern.

2.8.1. GEBOTZEICHEN

- keine Zeichen

2.8.2. VERBOTZEICHEN

- keine Zeichen

2.8.3. WARNZEICHEN



WARNUNG VOR GASFLASCHEN



WRNUNG VOR
EXPLOSIONSFÄHIGER
ATMOSPÄRE



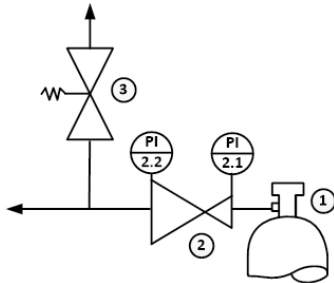
WARNUNG VOR GIFTIGEN UND/
ODER KORROSIVEN
STOFFEN

3. TECHNISCHE DATEN

3.1. FLIESSCHEMA

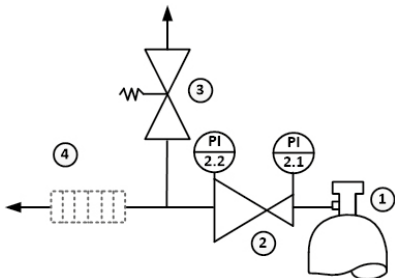
CTMHOSJ000/ CTMHESJ000

DE



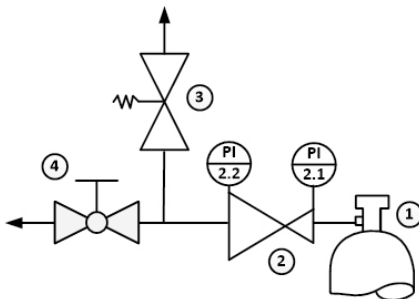
- 1 – GASFLASCHE ODER BÜNDEL
- 2 – DRUCKREGLER MIT DRUCKANZEIGEN
- 3 – ABLASEVENTIL

CTMHOSJ00N/ CTMHOSJ00F/ CTMHESF00N/ CTMHESJ00F



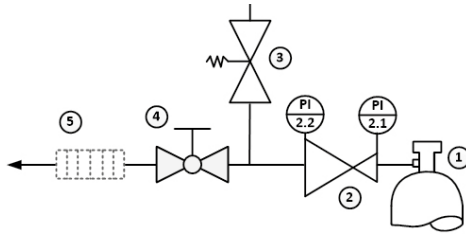
- 1 – GASFLASCHE ODER BÜNDEL
- 2 – DRUCKREGLER MIT DRUCKANZEIGEN
- 3 – ABLASEVENTIL
- 4 – SICHERHEITSEINRICHTUNG MIT INTEGRIERTER FLAMMENSPERRE (F) ODER SICHERHEITSEINRICHTUNG MIT INTEGRIERTER FLAMMENSPERRE FÜR SAUERSTOFF & DRUCKLUFT (N)

CTMHOSJ0B0/ CTMHESJ0B0



- 1 – GASFLASCHE ODER BÜNDEL
- 2 – DRUCKREGLER MIT DRUCKANZEIGEN
- 3 – ABLASEVENTIL
- 4 – KUGELHAHN

CTMH0SJOBN/ CTMH0SJ0BF/ CTMHESF0BN/ CTMHESJ0BF

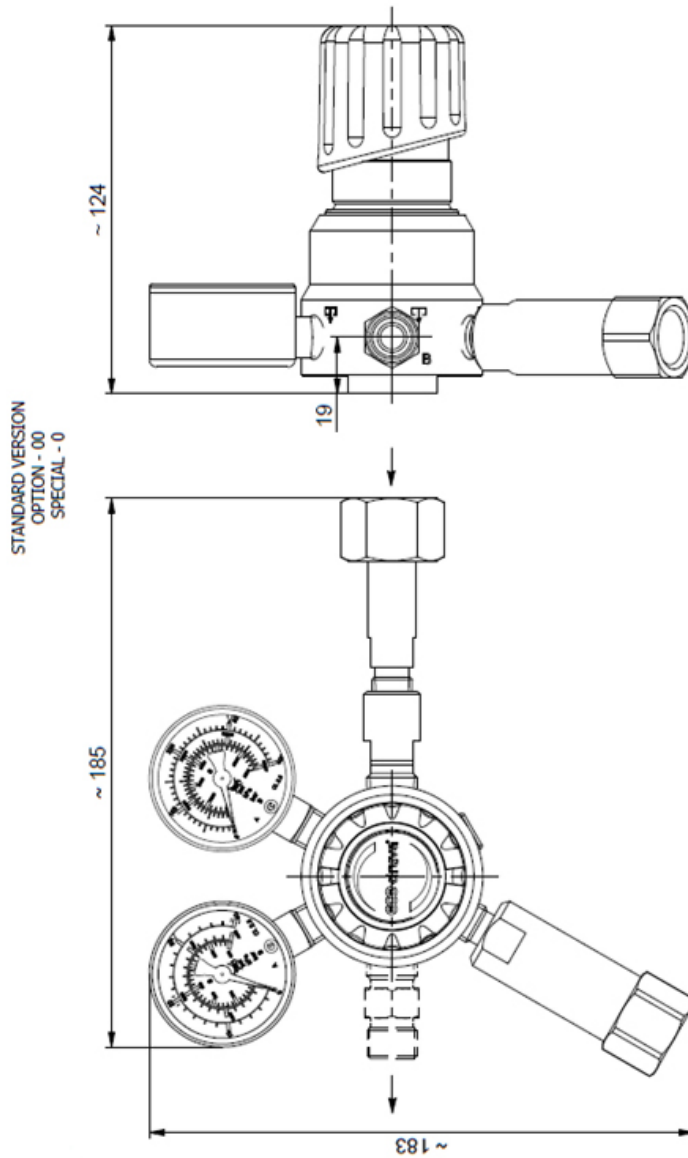


- 1 – GASFLASCHE ODER BÜNDEL
- 2 – DRUCKREGLER
MIT DRUCKANZEIGEN
- 3 – ABBLASEVENTIL
- 4 – KUGELHAHN
- 5 – SICHERHEITSEINRICHTUNG MIT
INTEGRIERTER FLAMMENSPERRE (F)
ODER SICHERHEITSEINRICHTUNG MIT
INTEGRIERTER FLAMMENSPERRE FÜR
SAUERSTOFF & DRUCKLUFT (N)

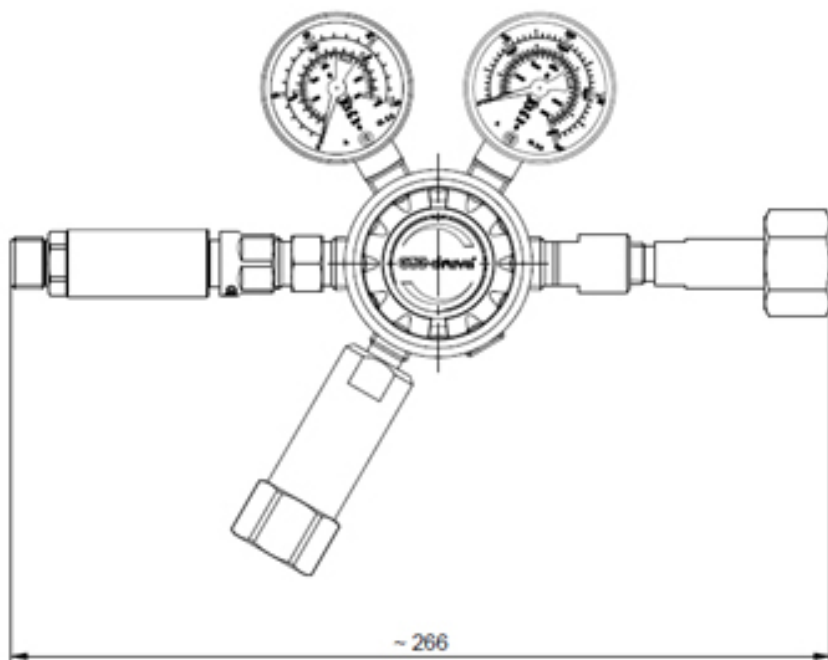
DE

3.2. MASSBLATT

DE

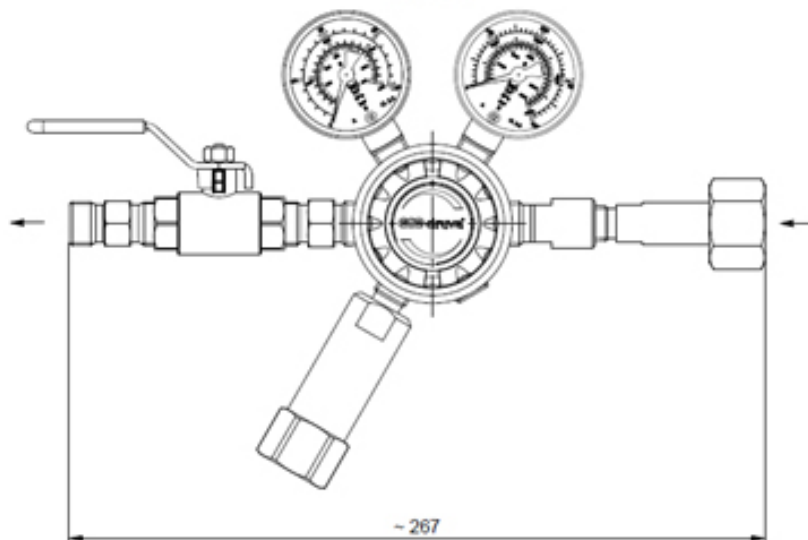


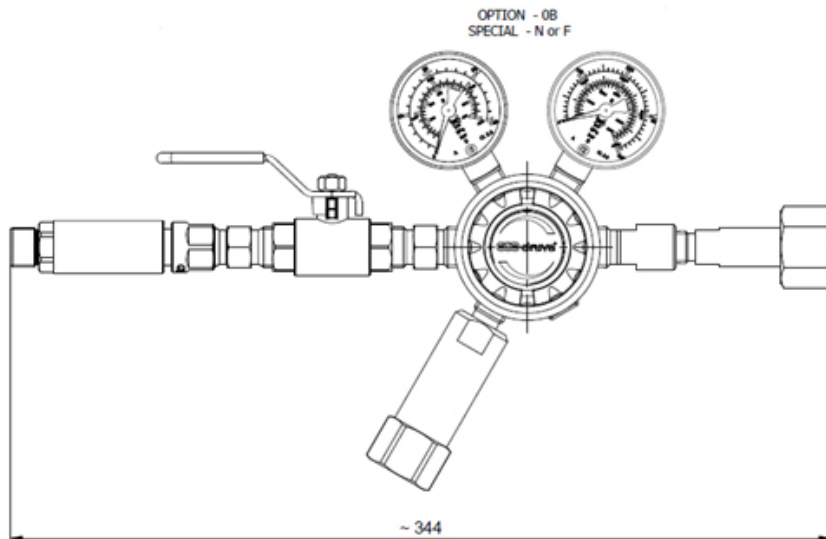
OPTION - 00
SPECIAL - N or F



DE

OPTION - 08
SPECIAL - 0





3.3. ALLGEMEINE ANGABEN

Angabe	CTMH0SJ000/ CTMHESJ000	CTMH0SJ00N/ CTMH0SJ00F/ CTMHESJ00N/ CTMHESJ00F	CTMH0SJ0B0/ CTMHESJ0B0	CTMH0SJ0BN/ CTMH0SJ0BF/ CTMHESJ0BN/ CTMHESJ0BF
Max. Gewicht [kg]	2,26	2,26	2,26	2,26
Länge [mm]	185	266	267	344
Breite [mm]	124	124	124	124
Höhe[mm]	183	183	183	183

3.4. ANSCHLUSSWERTE

Angabe	Wert
Eingang Flaschenanschlüsse	N38F00 - NPT3/8 inch female NF00CW - AFNOR Type C Wrench NF00FW - AFNOR Type F Wrench NF00EW - AFNOR Type E Wrench BS003W - BSI341-3 Wrench BS004W - BSI341-4 Wrench DI001W - DIN477 No 1 Wrench DI006W - DIN477 No 6 Wrench DI009W - DIN477 No 9 Wrench DI010W - DIN477 No 10 Wrench DI013W - DIN477 No 13 Wrench DI054W - DIN477 No 54 Wrench DI056W - DIN477 No 56 Wrench DI057W - DIN477 No 57 Wrench DI059W - DIN477 No 59 Wrench NELU1W - NEN LU1 Wrench NERI2W - NEN RI2 Wrench NERU3W - NEN RU3 Wrench

Ausgang	N38F - NPT3/8 INCH FEMALE E1MR - G1/4 INCH MALE EN560 RIGHT HAND E2MR - G3/8 INCH MALE EN560 RIGHT HAND E2ML - G3/8 INCH MALE EN560 LEFT HAND
Abblaseentil	N12F – NPT ½ INCH FEMALE

3.5. LEISTUNGSWERTE

Angabe	Wert	Einheit
Nominaler Durchfluss	100	m ³ /h
Eingangsdruck (max.)	300	bar
Ausgangsdruck (max.)	50	bar

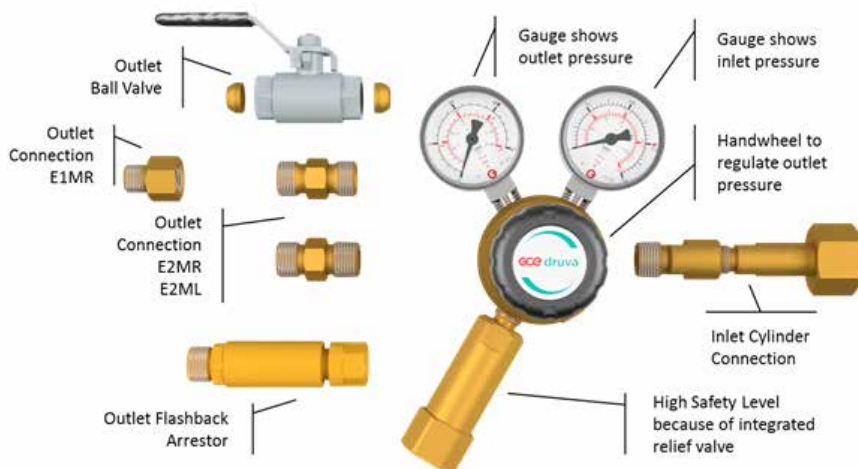
DE

3.6. BETRIEBSBEDINGUNGEN UMGEBUNG

Angabe	Wert	Einheit
Temperaturbereich	-20 bis +60	°C
Relative Luftfeuchte (max.)	98	%

4. AUFBAU UND FUNKTION

4.1. ÜBERSICHT CTMH0SJ/ CTMHESJ



4.2. KURZBESCHREIBUNG

Die Bedienung des Bündelgasdruckreglers erfolgt manuell durch das Handrad. Abzulesen sind der Eingangs- und Ausgangsdruck jeweils auf dem Eingangs- und Ausgangsmanometer. Verschiedene Zusatzkomponenten fließen in die Handhabung mit ein:

- Kugelhahn am Ausgang
- Flammensperre am Ausgang

5. TRANSPORT, VERPACKUNG UND LAGERUNG



TIPPS UND EMPFEHLUNGEN!

- Die Installation und Erstinbetriebnahme erfolgt idealerweise durch Mitarbeiter des Herstellers oder durch von ihm autorisierte Personen.
- Dennoch kann es vorkommen, dass im Rahmen der Installation und der weiteren Nutzung Bediener oder Wartungspersonal des Betreibers mit der Handhabung von Packstücken betraut werden. Dabei die im Folgenden aufgeführten Hinweise unbedingt beachten.

DE

5.1. SICHERHEITSHINWEISE FÜR DEN TRANSPORT



HINWEIS!

- **Sachschäden durch unsachgemäßen Transport!**
- Bei unsachgemäßem Transport können Transportstücke fallen oder umstürzen. Dadurch können Sachschäden in erheblicher Höhe entstehen.
- Beim Abladen der Transportstücke bei Anlieferung sowie bei innerbetrieblichem Transport vorsichtig vorgehen und die Symbole und Hinweise auf der Verpackung beachten.
- Nur die vorgesehenen Anschlagpunkte verwenden.
- Verpackungen erst kurz vor der Montage entfernen.

5.2. TRANSPORT INSPEKTION

Die Lieferung bei Erhalt unverzüglich auf Vollständigkeit und Transportschäden prüfen.

BEI ÄUSSERLICH ERKENNBAREM TRANSPORTSCHADEN WIE FOLGT VORGEHEN:

- Lieferung nicht oder nur unter Vorbehalt entgegennehmen.
- Schadensumfang auf den Transportunterlagen oder auf dem Lieferschein des Transporteurs vermerken.
- Reklamation einleiten.



TIPPS UND EMPFEHLUNGEN!

- Jeden Mangel reklamieren, sobald er erkannt ist. Schadensersatzansprüche können nur innerhalb des Gewährleistungszeitraums geltend gemacht werden.

5.3. VERPACKUNG

Die einzelnen Packstücke sind entsprechend den zu erwartenden Transportbedingungen verpackt. Für die Verpackung wurden ausschließlich umweltfreundliche Materialien verwendet.

Die Verpackung soll die einzelnen Bauteile bis zur Montage vor Transportschäden, Korrosion und anderen Beschädigungen schützen. Daher die Verpackung nicht zerstören und erst kurz vor der Montage entfernen.



HINWEIS!

- **Gefahr für die Umwelt durch falsche Entsorgung!**
- Verpackungsmaterialien sind wertvolle Rohstoffe und können in vielen Fällen weiter genutzt oder sinnvoll aufbereitet und wiederverwertet werden. Durch falsche Entsorgung von Verpackungsmaterialien können Gefahren für die Umwelt entstehen.
- Verpackungsmaterialien umweltgerecht entsorgen.
- Die örtlich geltenden Entsorgungsvorschriften beachten. Gegebenenfalls einen Fachbetrieb mit der Entsorgung beauftragen.

5.4. LAGERUNG

PACKSTÜCKE UNTER FOLGENDEN BEDINGUNGEN LAGERN:

- Nicht im Freien aufbewahren.
- Trocken und staubfrei lagern.
- Keinen aggressiven Medien aussetzen.
- Vor Sonneneinstrahlung schützen.
- Mechanische Erschütterungen vermeiden.
- Lagertemperatur: 15 bis 35 °C.
- Relative Luftfeuchtigkeit: max. 60 %.
- Bei Lagerung länger als 3 Monate regelmäßig den allgemeinen Zustand aller Teile und der Verpackung kontrollieren. Falls erforderlich, die Konservierung auffrischen oder erneuern.



TIPPS UND EMPFEHLUNGEN!

- Unter Umständen befinden sich auf den Packstücken Hinweise zur Lagerung, die über die hier genannten Anforderungen hinausgehen. Diese entsprechend einhalten.

6. INSTALLATION UND ERSTINBETRIEBNAHME

6.1. SICHERHEITSHINWEISE FÜR DIE INSTALLATION UND ERSTINBETRIEBNAHME

PERSONAL

Die Installation und Erstinbetriebnahme darf nur von qualifiziertem Personal durchgeführt werden.

DE

6.2. VORBEREITUNGEN

ENTPACKEN

- Die Komponenten müssen vorsichtig und umsichtig entpackt werden
- Zusätzliche Verpackungsmaterialien ebenfalls entfernen
- Alle Komponenten auf etwaige Transportschäden hin untersuchen

ENTLASTEN

- Gasdruck in eventuell bestehenden Anlagen entlasten, ggf. mit Inertgas spülen
- Rohrleitung in eventuell bestehenden Anlagen mit Spezialwerkzeug

6.3. INSTALLATION

Es dürfen nur Druckminderer mit Flaschenanschlüssen der jeweiligen Norm (DIN477, AFNOR, etc.) entsprechend der eingesetzten Gasart verwendet werden.



GEFAHR!

- Gewinde von Flaschenventil und Überwurfmutter müssen in einwandfreiem Zustand sein.



WARNUNG!

- Immer nur eine neue Dichtung verwenden. Dichtungen dürfen nicht deformiert sein und keine Spuren von Schmutz oder Metallspänen ausweisen.



WARNUNG!

- Keine Schlüsselverlängerung benutzen, da sonst Gewinde und Dichtung zerstört werden können. Dies kann zu Leckagen, unkontrolliertem Gasaustritt oder vollständigem Ausströmen des Gasvorrats führen.



WARNUNG!

- Beim Anschließen oder Wechseln der Flaschen mit giftigen oder ätzenden Gasen sind entsprechende Personenschutzmaßnahmen zu treffen (Atenschutz, Augenschutz und Schutzkleidung).
- MAK-Werte (siehe Technische Regeln für Gefahrenstoffe, TGRS 900) beachten, richtige Atemschutzfilter bereithalten. Ausschließlich Flaschendruckminderer mit Spüleinrichtung verwenden.



VORSICHT!

- Vor dem Anschließen muss an Hand des Typenschildes überprüft werden, ob die vorliegende Armatur für den vorgesehenen Verwendungszweck geeignet ist.

6.3.1. ANSCHLIESSEN DER GASFLASCHE

- Dem jeweiligen Flaschenanschluss und der Gasart entsprechende Dichtung einlegen
- Überwurfmutter erst von Hand auf den Ventilanschluss an der Flasche aufschrauben.
- Auf Rechts- und Linksgewinde achten!
- Den Druckminderer ansetzen – nicht verkanten!
- Die Überwurfmutter mit dem passenden Gabelschlüssel festziehen. Achtung, keine Schlüsselverlängerung verwenden, da sonst das Gewinde und die Dichtung zerstört werden können. Dies kann zu Leckagen und unkontrolliertem Ausströmen des Gasvorrats führen (vollständiger Gasverlust!).
- Bei Flaschenanschlüssen mit Handanschluss die Überwurfmutter handfest anziehen.
- Achtung, keine Schlüssel verwenden, da sonst die Grifffläche zerstört werden kann.

DE



In den meisten Fällen werden Schläuche mit Adaptern nach EN 560 angeschlossen.

6.4. VORAUSSETZUNG ZUR ERSTINBETRIEBNAHME

- Die Prüfprotokolle der Leitungssysteme hinsichtlich der Dichtheit, wenn gefordert auch Feuchte und Partikel, liegen vor
- Prozessgasleitung, Abblaseleitung, Spülgasleitung, Sicherheitsventil- oder Rückschlagventilleitungen müssen verbunden sein, falls vorhanden
- In der Prozessgasleitung ist nur Standardgas (siehe Punkt 1.2)
- Die Inbetriebnahme darf nur durch eingewiesenes Fachpersonal erfolgen
- Es ist den Vorschriften entsprechende Schutzkleidung zu tragen
- Überprüfen Sie vor Erstinbetriebnahme anhand des Typenschildes, ob der vorliegende Bündelflaschendruckminderer für den vorhergesehenen Verwendungszweck geeignet ist (Gas, Druck, Werkstoff, etc.)

6.5. ERSTINBETRIEBNAHME

- Alle Voraussetzungen sind gemäß Punkt 6.4 erfüllt
- Flaschendruckregler ist entspannt (geschlossen), d.h. das Handrad ist ganz herausgedreht (nach links)



WARNUNG!

- Es ist unbedingt darauf zu achten, dass der Flaschendruckregler nicht über den zulässigen Betriebsdruck hinaus mit Druck beaufschlagt wird.

6.5.1. FÜLLEN DER PROZESSGASLEITUNG MIT PROZESSGAS

Gewünschten Ausgangsdruck durch langsames Drehen des Druckregler-Handrades im Uhrzeigersinn einstellen.

Der Flaschendruckregler ist nun in Betrieb. Es wird empfohlen den Druckregler täglich zu kontrollieren und die Drücke zu überprüfen.

6.5.2. FLASCHENWECHSEL



WARNUNG!

- Beim Wechseln der Flaschen mit giftigen, ätzenden Gasen sind entsprechende Personenschutzmaßnahmen zu treffen (Atemschutz, Augenschutz, Schutzkleidung. MAK-Werte (siehe Technische Regeln für Gefahrstoffe, TGRS 900) beachten, richtige Atemschutzfilter bereithalten.



GEFAHR!

- Wurden aus der Druckgasflasche giftige und/ oder ätzende Gase entnommen, ist vor dem Auswechseln der leeren Flasche das druckführende Gerät mit inertem Gas zu spülen (Fremdgasspülung). Damit wird erreicht, dass das im System befindliche Restgas durch die Spülabgasleitung entsorgt wird.

DE

VORBEREITUNG

1. Gasflaschenventil fest
2. Druckregler restlos entleeren, Zeiger von Eingangs- und Ausgangsmanometer müssen beide auf „0“ stehen
3. Handrad des Druckreglers bis zum Anschlag gegen den Uhrzeigersinn drehen, Druckminderer geschlossen
4. Kugelhahn am Ausgang schließen, falls vorhanden

6.5.3. AUSSERBETRIEBNAHME



VORSICHT!

- Bei Ausbau generell beachten: Druckregler und Leitungen durch Ableiten des Gases über den Verbraucher entspannen, Zeiger von Vor- und Hinterdruckmanometer müssen vollständig auf „0“ stehen.
 - Bei ätzenden bzw. giftigen Gasen alle Komponenten mit Inert Gas spülen.
 - Entsprechende Personenschutzmaßnahmen treffen (Atemschutz, Augenschutz und Schutzkleidung).
 - MAK-Werte (siehe Technische Regeln für Gefahrstoffe, TGRS 900) beachten, richtige Atemschutzfilter bereithalten.
1. Gasflaschenventil fest schließen
 2. Druckregler restlos entleeren, Zeiger von Eingangs- und Ausgangsmanometer müssen beide auf „0“ stehen
 3. Handrad des Druckreglers bis zum Anschlag gegen den Uhrzeigersinn drehen, Druckregler geschlossen
 4. Kugelhahn am Ausgang schließen, falls vorhanden
 5. Rohrleitung entspannen
- Der Flaschendruckregler ist nun außer Betrieb. Es können jetzt Reparatur- und Wartungsarbeiten durchgeführt werden.

6.6. PRÜFUNGEN

- Nach der Druckbeaufschlagung die Funktion des Druckreglers überprüfen.
- Dichtigkeit des Abblaseventils überprüfen.

7. BETRIEB

Gemäß Kapitel 2.1 ist der Betrieb der Bündelflaschendruckregler für Standardgase definiert.



VORSICHT!

- Handventile müssen immer langsam und vorsichtig geöffnet werden, um Druckstöße im System zu vermeiden und andere Komponenten zu schützen.

Für eine kurzzeitige Unterbrechung der Gasentnahme reicht es aus, den Kugelhahn am Regler zu schließen, falls dieser vorhanden ist.

Für eine längere Unterbrechung muss der Regler durch Drehen des Handrades gegen den Uhrzeigersinn drucklos gemacht werden.

Schließen Sie zur Sicherheit das Flaschenventil.

8. WARTUNG

8.1. SICHERHEITSHINWEISE FÜR DIE WARTUNG



HINWEIS!

Wartungsarbeiten dürfen nur von qualifiziertem, geschultem und autorisiertem Personal durchgeführt werden. (siehe Kapitel 2.4).

8.2. WARTUNGSPLAN

In den nachstehenden Abschnitten sind die Wartungsarbeiten beschrieben, die für einen optimalen und störungsfreien Betrieb des Geräts erforderlich sind. Sofern bei regelmäßigen Kontrollen eine erhöhte Abnutzung zu erkennen ist, die erforderlichen Wartungsintervalle entsprechend den tatsächlichen Verschleißerscheinungen verkürzen.



HINWEIS!

- Bei jeglichen Fragen bezüglich Wartungsarbeiten und Wartungsintervallen kontaktieren Sie den Kundenservice. (siehe Kontaktdaten unter Punkt 1.8).

Intervall	Wartungsarbeit	Personal
Wöchentlich	Alle Komponenten visuell überprüfen	Befähigte Person (TRBS 1203)
Einmal jährlich	Betriebsprüfung auf Funktion und Dichtigkeit, Prüfung aller sicherheitsrelevanten Teile	Befähigte Person (TRBS 1203)
Alle 10 Jahre	Generalüberholung und Austausch aller Verschleißteile	Befähigte Person (TRBS 1203)

8.3. WARTUNGSARBEITEN

8.3.1. REINIGUNG



HINWEIS!

- Reinigungsmittel müssen mit den Materialien, mit denen sie in Berührung kommen, verträglich sein.

8.3.2. VORAUSSETZUNG ZUR WARTUNG

VOR BEGINN DER WARTUNG IST ZU PRÜFEN, DASS

- Die Gasversorgung unterbrochen und sichergestellt ist.
- Die Entspannungsstation drucklos ist.
- Der Druckregler entspannt ist.
- Das Ventil geschlossen ist.
- Sich kein Prozessgas mehr im System befindet.
- Das System mit einem Inertgas freigespült wurde.

8.3.3. NOTWENDIGE WARTUNGSLEISTUNG

- Prüfung der Anzeigegenauigkeit des Anzeigewertes bei Druckanzeigen.
- Entspannungsstation, Druckregler, Ventile und Druckanzeigen: Zustand auf Funktion, Zustand und Kennzeichnung prüfen.
- Prüfung der Kennzeichnung.
- Prüfung auf Korrosion.
- Prüfung der Funktion.
- Dichtheitsprüfung mit 1-fachem Betriebsdruck über 12 Stunden ausführen.
- Verschlossene und defekte Bauteile sind sofort auszutauschen, mit diesen Arbeiten ist in jedem Fall ein autorisiertes Fachunternehmen zu beauftragen.
- Das Design der Ventile erfolgte gemäß ISO 10297. Darin enthalten ist ein Typtest, bei dem das Ventil einem Lebensdauertest von bis zu 2000 Zyklen unterzogen wurde. Nach 2000 Zyklen medienberührte Innenteile austauschen, mit diesen Arbeiten ist in jedem Fall ein autorisiertes Fachunternehmen zu beauftragen.

- Sollten Undichtigkeiten oder übermäßige Korrosion an Entspannungsstationen/ Druckregler oder Ventil festgestellt werden, so sind diese komplett zwischen der nächstmöglichen lösbaren Verbindung ebenfalls durch ein autorisiertes Fachunternehmen auszutauschen.
- Nach dem Wechsel von Komponenten oder Rohrleitungsbaugruppen sind erneut Drucktest auszuführen und zu protokollieren.

8.4. MASSNAHMEN NACH ERFOLGTER WARTUNG

NACH BEENDIGUNG DER WARTUNGSARBEITEN UND VOR NEUINBETRIEBNAHME DER ENTSPANNUNGSSTATION, DES DRUCKREGLER ODER DES VENTILS DIE FOLGENDEN SCHRITTE DURCHFÜHREN:

1. Sicherstellen, dass alle verwendeten Werkzeuge, Materialien und sonstige Ausrüstungen aus dem Arbeitsbereich entfernt wurden.
2. Arbeitsbereich säubern und eventuell ausgetretene Stoffe wie z. B. Flüssigkeiten, Verarbeitungsmaterial oder Ähnliches entfernen.
3. Sicherstellen, dass alle Sicherheitseinrichtungen des Systems einwandfrei funktionieren.

DE

9. STÖRUNGEN

Im folgenden Kapitel sind mögliche Ursachen für Störungen und die Arbeiten zu ihrer Beseitigung beschrieben. Bei vermehrt auftretenden Störungen müssen die Wartungsintervalle entsprechend der tatsächlichen Belastung verkürzt werden. Bei Störungen, die durch die nachfolgenden Hinweise nicht zu beheben sind, den Hersteller kontaktieren, siehe Kontaktdaten im Kap. 1.8.

9.1. SICHERHEITSHINWEISE FÜR DIE STÖRUNGSBEHEBUNG

Bei Störungen grundsätzlich die Gasversorgung unterbrechen, den Druckregler entspannen und Ventile schließen. Keinesfalls Wartungsarbeiten an Bauteilen unter Druck durchführen.

VERHALTEN BEI STÖRUNGEN:

1. Gasversorgung unterbrechen und sicherstellen.
2. Druckregler entspannen, Ventile schließen.
3. Nur qualifiziertes Personal darf Störungen beseitigen.
4. Ausgangszustand des Geräts wiederherstellen.

Beschreibung	Ursache	Lösung	Ventile	Flaschen- druckregler	Leitungs- druckregler	Entspannungs- stationen
Kein Durchfluss (Eingangsmanometer zeigt Druck an, Ausgangsmanometer nicht)	Druckregler geschlossen	Druckregler langsam öffnen Spülventil schließen		<input checked="" type="checkbox"/>	<input checked="" type="checkbox"/>	<input checked="" type="checkbox"/>
Kein Durchfluss (beide Manometer zeigen Null)	Flaschenventil geschlossen Brauchgasventil geschlossen Druckregler geschlossen Wendel/ Schlauch nicht ange- schlossen	Inbetriebnahme gemäß Punkt 6. Installation und Erstinbetriebnahme		<input checked="" type="checkbox"/>	<input checked="" type="checkbox"/>	<input checked="" type="checkbox"/>
Kein Durchfluss	Druckregler geschlossen	Druckregler langsam öffnen	<input checked="" type="checkbox"/>			

Beschreibung	Ursache	Lösung	Ventile	Flaschen- druckregler	Leitungs- druckregler	Entspannungs- stationen
Hinterdruckanstieg & Abblaseventil öffnet	Leckage im Druckreglersitz	Reparatur durch Hersteller		<input checked="" type="checkbox"/>	<input checked="" type="checkbox"/>	<input checked="" type="checkbox"/>
Leichter Hinterdruckanstieg & Abblaseventil öffnet nicht	Vordruckabfall	Kein Fehler, normaler Betriebszustand		<input checked="" type="checkbox"/>	<input checked="" type="checkbox"/>	<input checked="" type="checkbox"/>
Leichter Hinterdruckanstieg	Unterschied zwischen Fließdruck (mit Durchfluss) und Staudruck (kein Durchfluss)	Kein Fehler, normaler Betriebszustand		<input checked="" type="checkbox"/>	<input checked="" type="checkbox"/>	<input checked="" type="checkbox"/>
Leichter Hinterdruckabfall	Unterschied zwischen Staudruck (kein Durchfluss) und Fließdruck (mit Durchfluss)	Kein Fehler, normaler Betriebszustand		<input checked="" type="checkbox"/>	<input checked="" type="checkbox"/>	<input checked="" type="checkbox"/>
Starker Hinterdruckabfall	Erforderlichen Durchfluss für Druckregler zu groß	Auswahl eines neuen Druckreglers für geforderten Druck & Durchfluss		<input checked="" type="checkbox"/>	<input checked="" type="checkbox"/>	<input checked="" type="checkbox"/>
Starker Hinterdruckabfall	Undichte Prozessgasleitung	Prozessgasleitung überprüfen		<input checked="" type="checkbox"/>	<input checked="" type="checkbox"/>	<input checked="" type="checkbox"/>
Ausgangsdruck zu hoch	Falsche Regler Einstellung	Druckregler Einstellung anpassen, nachregeln, Wartung		<input checked="" type="checkbox"/>	<input checked="" type="checkbox"/>	<input checked="" type="checkbox"/>
Hinterdruck steigt sofort bis Anschlag an oder Hinterdruck steigt langsam über den eingestellten Wert hinaus an & Abblaseventil bläst ab	Verschmutzung oder Beschädigung des Sitzes „Steiger“	Reparatur durch Hersteller		<input checked="" type="checkbox"/>	<input checked="" type="checkbox"/>	<input checked="" type="checkbox"/>

Beschreibung	Ursache	Lösung	Ventile	Flaschen- druckregler	Leitungs- druckregler	Entspannungs- stationen
Geräusche während des Betriebes	Erforderlicher Durchfluss für Druckregler zu hoch	Auswahl eines neuen Druckreglers für geforderten Druck & Durchfluss		☑	☑	☑
Keine Veränderung der Ventilsteuerung trotz drehen des Handrades	Handrad defekt durch zu hohes Drehmoment, Spindel defekt, Gewinde defekt	Reparatur durch Hersteller	☑	☑	☑	☑
Feuchtigkeit auf Druckregler (KEIN Tau, Regen oder Schnee)	Druckregler entzieht der Umwelt Energie durch Gasentspannung	Kein Fehler Normaler Betriebszustand		☑	☑	☑
Eisbildung auf Druckregler (KEIN Tau, Regen oder Schnee)	Druckregler entzieht der Umwelt Energie durch Gasentspannung, limitierte Lieferleistung der Druckgasbehälter z. Bsp. bei N2O, CO2	Kein Fehler Normaler Betriebszustand ACHTUNG: auf Funktionalität der Kontaktmanometer achten, Anzahl der Druckgasbehälter erhöhen		☑	☑	☑

DE

Diese Tabelle erhebt keinen Anspruch auf Vollständigkeit. Bei Fragen und Unklarheiten kontaktieren Sie bitte den Hersteller. Kontaktdaten unter Kapitel 1.8.

10. DEMONTAGE UND ENTSORGUNG

Nachdem das Gebrauchsende des Geräts erreicht ist, muss das Gerät demontiert und einer umweltgerechten Entsorgung zugeführt werden.

10.1. SICHERHEITSHINWEISE FÜR DIE DEMONTAGE UND ENTSORGUNG



WARNUNG!

- **Verletzungsgefahr bei unsachgemäßer Demontage!**
- Gespeicherte Restenergien, kantige Bauteile, Spitzen und Ecken am und im Gerät oder an den benötigten Werkzeugen können Verletzungen verursachen.
- Vor Beginn der Arbeiten für ausreichenden Platz sorgen.
- Mit offenen scharfkantigen Bauteilen vorsichtig umgehen.
- Auf Ordnung und Sauberkeit am Arbeitsplatz achten!
- Lose aufeinander- oder umherliegende Bauteile und Werkzeuge sind Unfallquellen.
- Bauteile fachgerecht demontieren. Teilweise hohes Eigengewicht der Bauteile beachten. Falls erforderlich, Hebezeuge einsetzen.
- Bauteile sichern, damit sie nicht herabfallen oder umstürzen.
- Bei Unklarheiten den Hersteller hinzuziehen.

10.2. DEMONTAGE

VOR BEGINN DER DEMONTAGE

Flaschendruckregler durch Drehen des Handrades gegen den Uhrzeigersinn schließen.

Flaschendruckregler entspannen und sicherstellen, dass sich kein Prozessgas mehr im Inneren befindet.

System entspannen und wenn nötig mit einem Inert Gas spülen.

Betriebs- und Hilfsstoffe sowie restliche Verarbeitungsmaterialien entfernen und umweltgerecht entsorgen.

Anschließend Baugruppen und Bauteile fachgerecht reinigen und unter Beachtung geltender örtlicher Arbeitsschutz- und Umweltschutzvorschriften zerlegen.

DE



WARNUNG!

- **System nicht öffnen, wenn sich noch giftiges und/ oder korrosives Gas darin befindet!**

10.3. ENTSORGUNG

Sofern keine Rücknahme- oder Entsorgungsvereinbarung getroffen wurde, zerlegte Bestandteile der Wiederverwertung zuführen:

Metalle verschrotten.

Kunststoffelemente zum Recycling geben.

Übrige Komponenten nach Materialbeschaffenheit sortiert entsorgen.

Gemäß dem Artikel 33 der REACH-Verordnung verpflichtet sich die Gesellschaft GCE, s.r.o. als verantwortungsbewusster Hersteller, alle Kunden darüber zu informieren, wenn die Materialien 0,1% oder mehr der auf der Liste aufgeführten besonders besorgniserregenden Stoffe (SVHC) enthalten.

Die am häufigsten für Körper und andere Messingbauteile verwendeten Messinglegierungen enthalten 2-3% Blei (Pb), EG-Nr. 231-468-6, CAS-Nr. 7439-92-1. Bei normalem Gebrauch wird Blei nicht in das Gas oder in die Umwelt freigesetzt. Am Ende seiner Lebensdauer muss das Erzeugnis von einem zugelassenen Metallrecyclingunternehmen entsorgt werden, um eine wirksame Entsorgung des Materials bei minimalen Auswirkungen auf Umwelt und Gesundheit zu gewährleisten.

Bis zum heutigen Tag liegen uns keine Informationen vor, die darauf hindeuten, dass Materialien mit SVHC-Konzentrationen über 0,1% in GCE-Produkten enthalten sind.



HINWEIS!

- **Gefahr für die Umwelt durch falsche Entsorgung!**
- Durch falsche Entsorgung können Gefahren für die Umwelt entstehen.
- Elektroschrott, Elektronikkomponenten, Schmier- und andere Hilfsstoffe von zugelassenen Fachbetrieben entsorgen lassen.
- Im Zweifel Auskunft zur umweltgerechten Entsorgung bei der örtlichen Kommunalbehörde oder speziellen Entsorgungsfachbetrieben einholen.

HERSTELLER:

GCE, s.r.o.

Zizkova 381

583 01 Chotebor

Czech Republic

Tel : +420 569 661 111

Fax : +420 569 661 602

<http://www.gcegroup.com>

© GCE, s.r.o.









Manufacturer:
GCE, s.r.o.
Žižkova 381, 583 01 Chotěboř, Česká republika
<http://www.gcegroup.com>

Doc. Nr.: IFU-CTMHX; DOI: 2021-03-12; Rev.:00; TI: A5, CB, V1